

# SFT MARINE EXHAUST MOUNTS

The SFT Marine Exhaust mounts from AMC-MECANOCAUCHO are designed to suspend exhaust ducts in Marine applications.



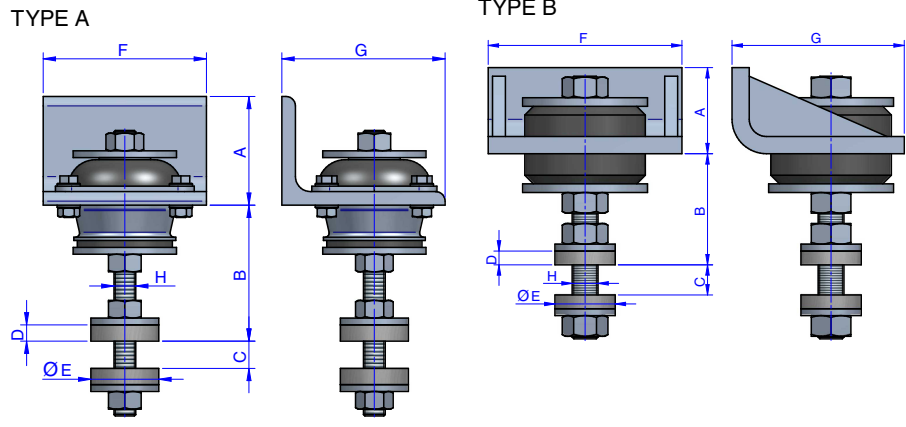
## TECHNICAL CHARACTERISTICS

Their particular design suspends ducts and provide a lateral stability. There are 11 different models to suit hanging loads from 40Kg to 2000Kg.

All the SFT Marine Exhaust mounts are equipped with interlocking metal parts to withstand to high compression and traction loads. This failsafe feature provides an extra safety for the application.



DRAWINGS

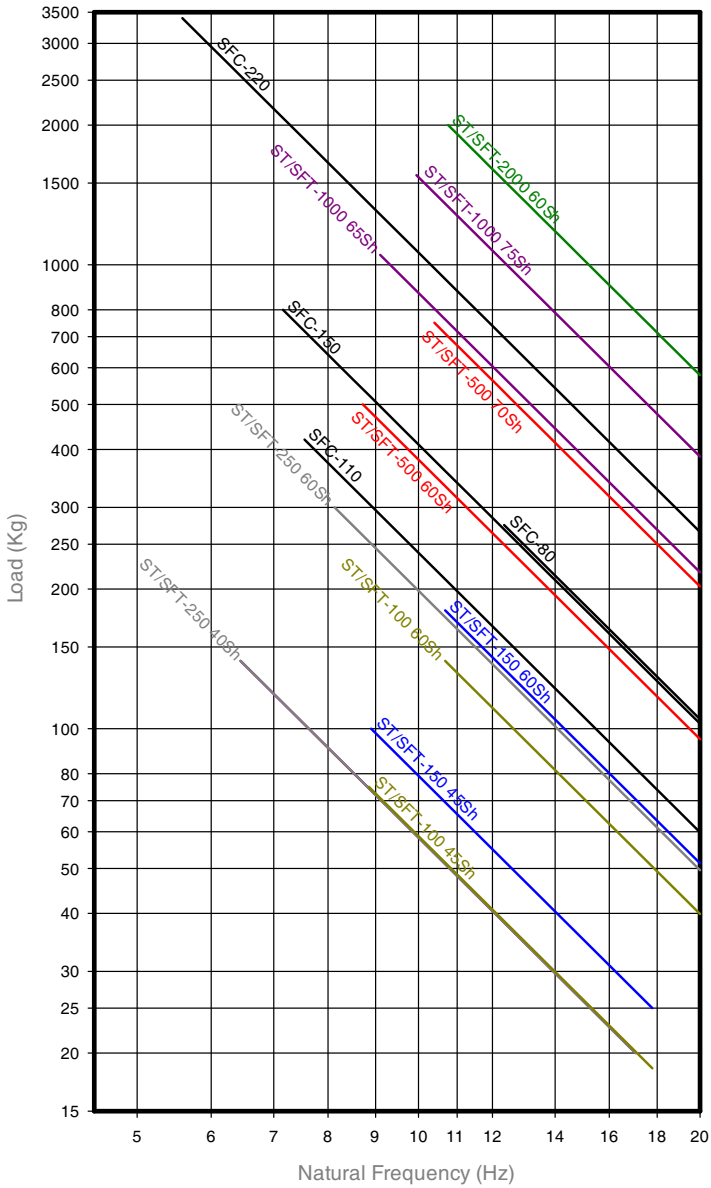


DIMENSIONS

Type	A (mm)	B (mm)	C (mm)	D (mm)	E (mm)	F (mm)	G (mm)	H (mm)	Shore	Max. Load (kg)	Code
TYPE A	50	51,5	20	12	50	110	100	M12	45 Sh	75	709201
	50	51,5	20	12	50	110	100	M12	60 Sh	140	709205
	50	51,5	20	12	50	110	100	M12	45 Sh	100	709211
	50	51,5	20	12	50	110	100	M12	60 Sh	180	709215
	80	80	40	12	50	120	120	M16	40 Sh	140	709221
	80	80	40	12	50	120	120	M16	60 Sh	300	709225
	80	80	40	12	50	120	120	M16	60 Sh	500	709231
	80	80	40	12	50	120	120	M16	70 Sh	750	709235
	100	100	50	12	50	175	150	M20	45 Sh	900	709241
	100	100	50	12	50	175	150	M20	60 Sh	1250	709245
TYPE B	100	120	50	12	70	225	200	M30	60 Sh	2000	709251

Elastical properties

**NATURAL FREQUENCY**  
AMC MECANOCAUCHO®EXHAUST MOUNTS



**LOAD DEFLECTION GRAPH**  
AMC MECANOCAUCHO®EXHAUST MOUNTS

