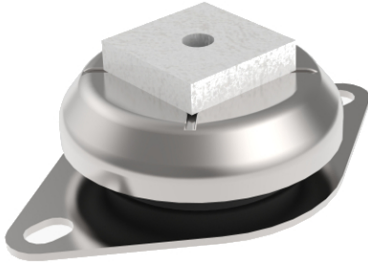


SFC MARINE EXHAUST MOUNTS

The SFC Marine Exhaust mounts from AMC-MECANOCAUCHO are designed to support exhaust ducts in Marine applications.



TECHNICAL CHARACTERISTICS

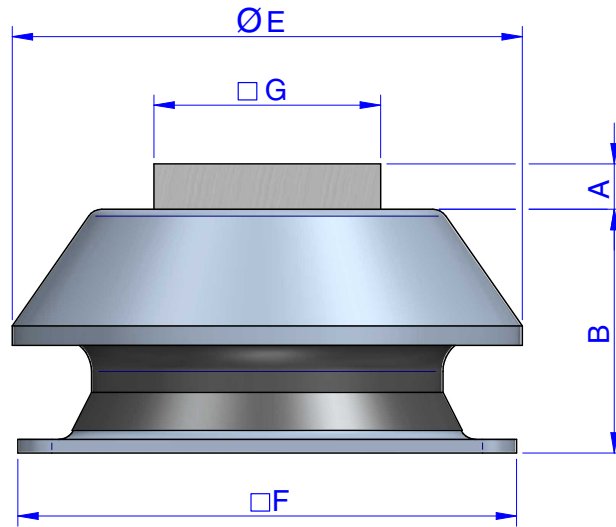
Their particular design support ducts and provide a lateral stability. There are 4 different models to suit hanging loads from 270Kg to 3400Kg.

All the SFC Marine Exhaust mounts are equipped with interlocking metal parts to withstand to high compression and traction loads. This failsafe feature provides an extra safety for the application. They also incorporate a thermal insulation plate to prevent the compound to be exposed to high temperatures that may put in risk the thermostability of the elastic compound.

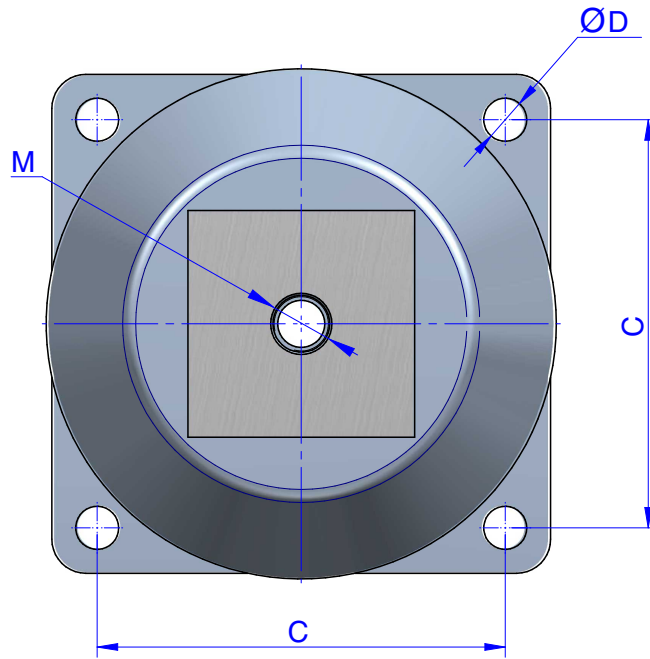
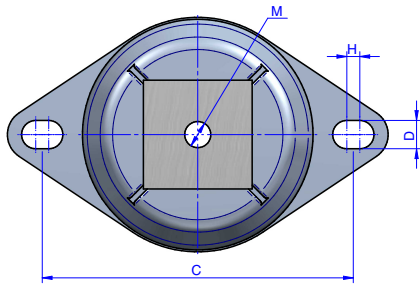
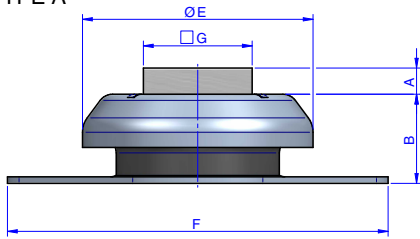


DRAWINGS

TYPE B



TYPE A

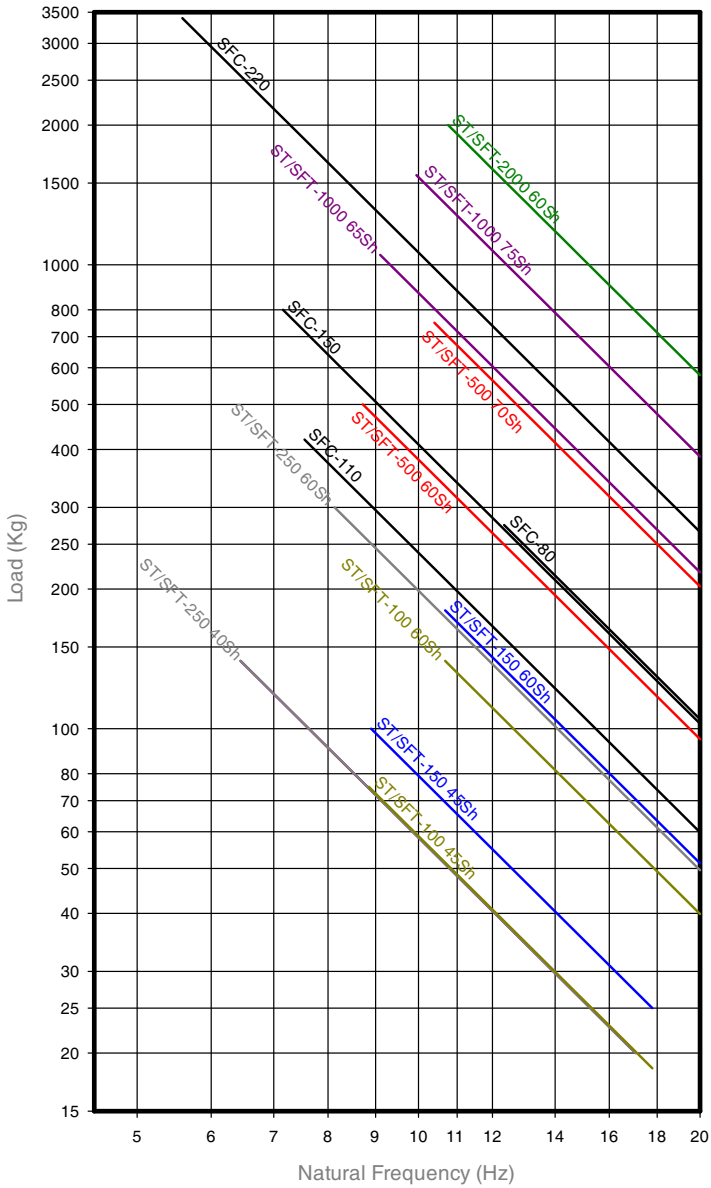


DIMENSIONS

Type	A (mm)	B (mm)	C (mm)	D (mm)	E (mm)	F (mm)	G (mm)	H (mm)	M	Shore	Max. Load (kg)	Code
TYPE A	12	34	123,2	10	92	150	50	4,4	M12	60 Sh	270	709301
	12	41	143	13	106	175	50	6	M12	60 Sh	420	709305
	12	53,5	182	14,5	156	218	90	6	M16	60 Sh	800	709311
TYPE B	12	105	180	19	230	220	90	-	M24	60 Sh	3400	709315

Elastical properties

NATURAL FREQUENCY
AMC MECANOCAUCHO®EXHAUST MOUNTS



LOAD DEFLECTION GRAPH
AMC MECANOCAUCHO®EXHAUST MOUNTS

