

TFS ANTI VIBRATION MOUNTS



The AMC-Mecanocaucho® TFS type anti vibration mounts are made of two moulded parts . One of circular fully moulded rubber, and one circular part which is fully bonded to a centre tube which acts as a guide for the machine anchoring bolt. They are installed pre-compressed on the actual machine frame, whose thickness "E" determines the degree of pre-compression of the assembly.

TECHNICAL CHARACTERISTICS

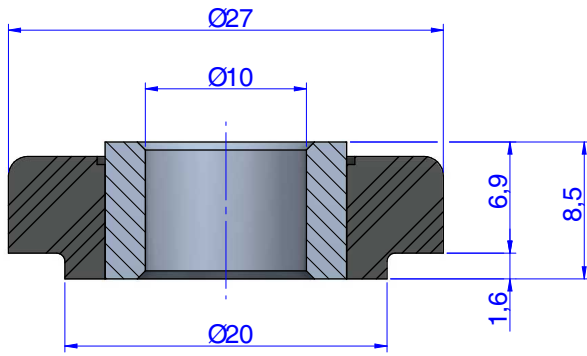
This antivibration mount is ideal for applications with major dynamic loadings such as : Off Road Construction vehicles for engines , gearboxes , Operator Cabins where movement control is necessary. It also offers optimal stability, as well as good attenuation of impacts and high frequency vibrations.

APPLICATIONS

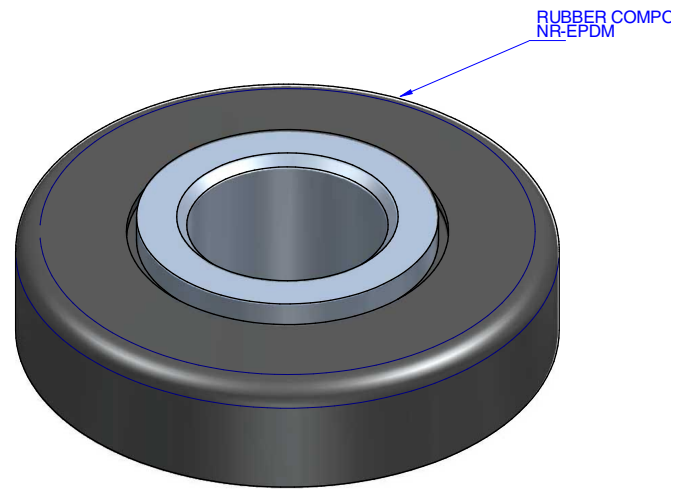
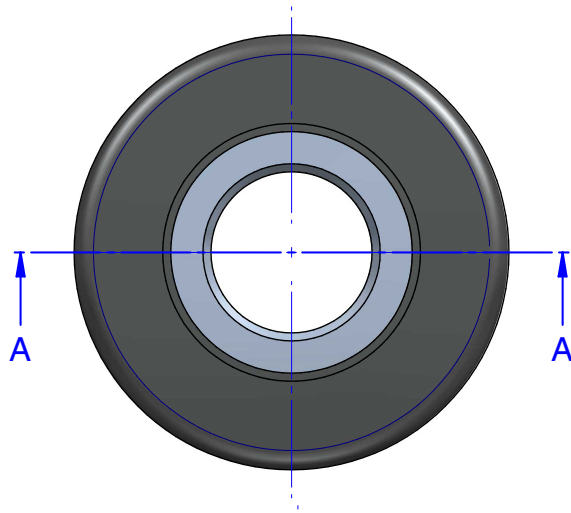
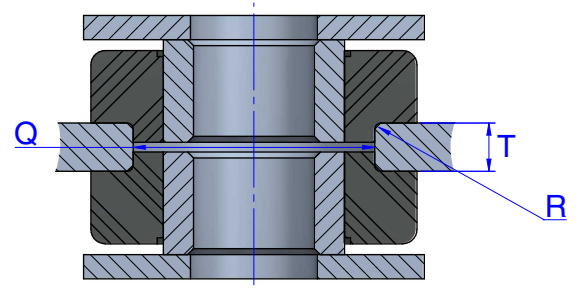
- Vehicle cabins
- Public works and agricultural vehicles, etc.



DRAWINGS



SECTION A-A

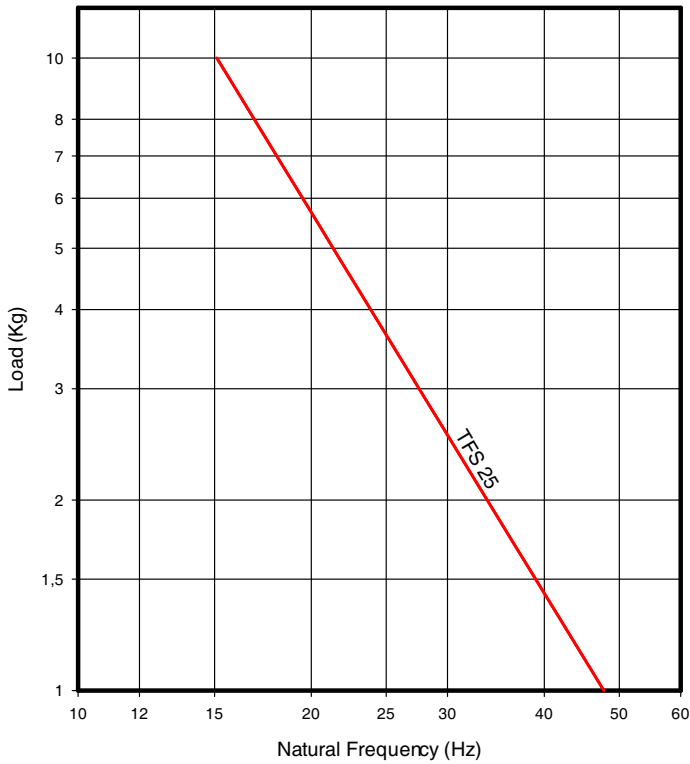


DIMENSIONS

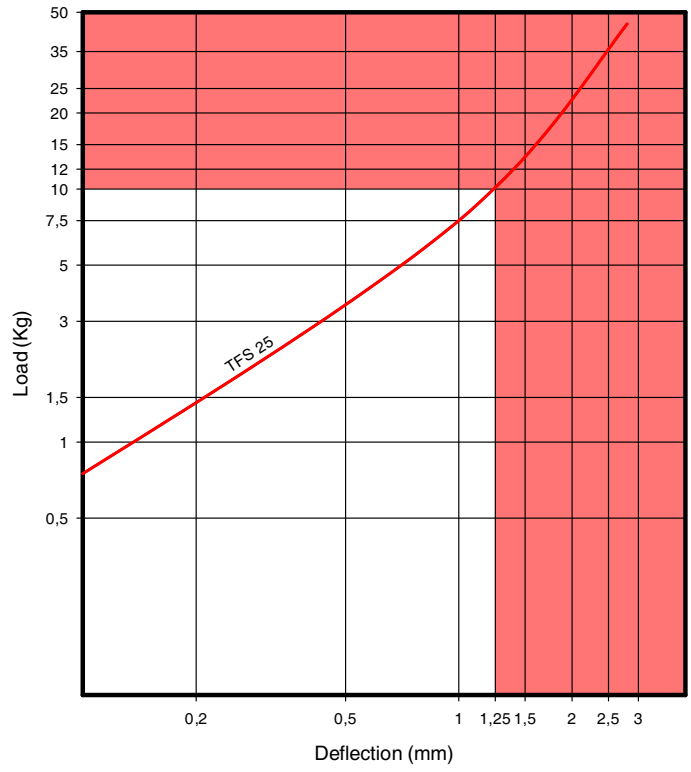
Type	Q (mm)	T (mm)	Shore	Max. Load (kg)	R (mm)	Code
TFS 25	20	4	45 Sh	10	1	138035

Elastical properties

NATURAL FREQUENCY CURVE
MECANOCAUCHO® Type TFS



LOAD DEFLECTION CURVE
MECANOCAUCHO® Type TFS



OPERATION AND ASSEMBLY



The TFS mounts should be assembled according to the following installation instructions. There are two possible configurations, see assembly 1 and assembly 2, for which the recommendations given in the following chart must be observed. They can be installed in plates of different thicknesses according to the T_{mx} and T_{min} values given in the Table provided . The load vs deformation curves will vary according to the plate thickness in which the mount will be installed.

Washers should be used, if the rubber surface is not covered with the contact surface.