

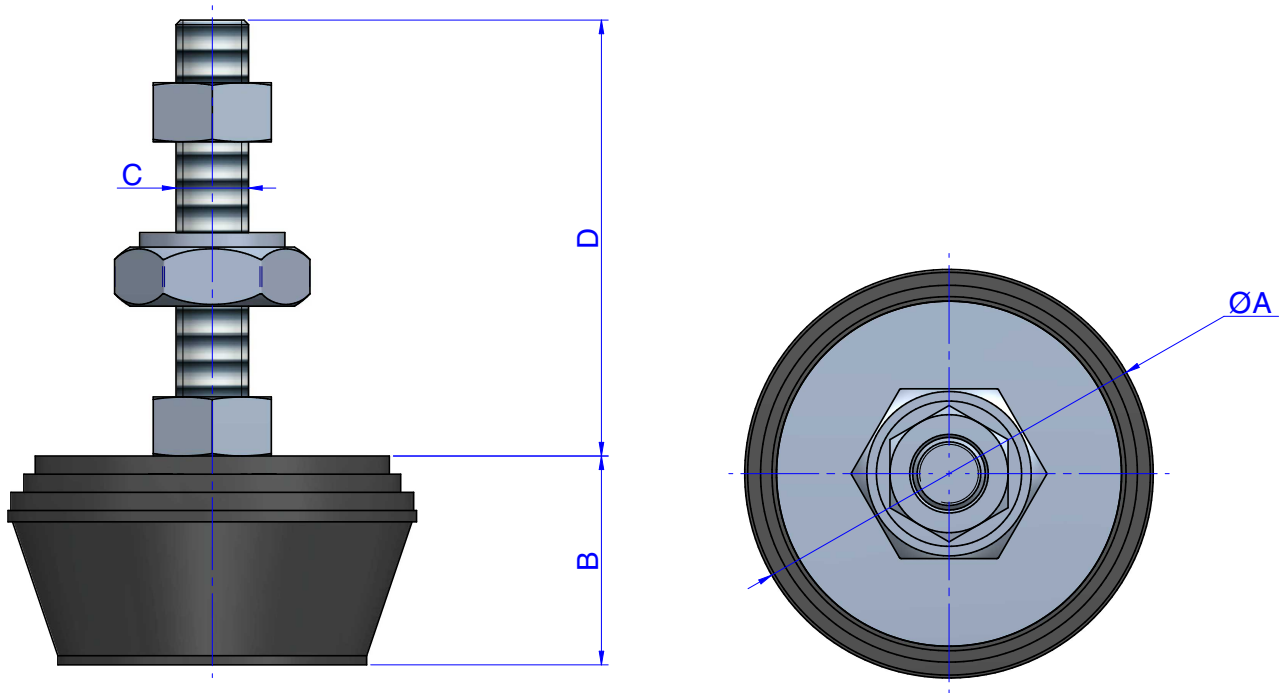
# SV ANTI VIBRATION MOUNTS



The SV-type AMC Mecanocaucho® anti vibration mounts are used in cases where light or heavy machines are not fixed to the floor or ground. The height adjustment system can be used to adjust the machines to the required level, thus insulating areas nearby from vibrations and reducing noise. The AMC-Mecanocaucho® type SV comes with a tilting system accomodating uneven surfaces.



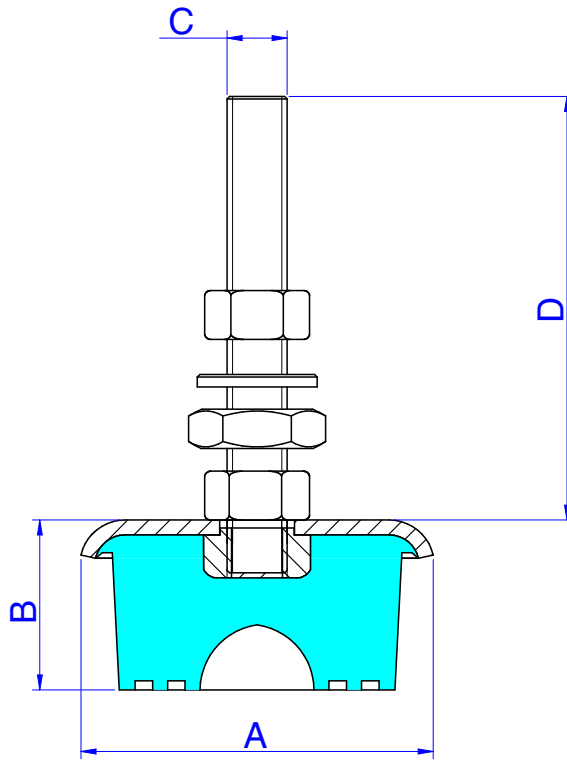
DRAWINGS



DIMENSIONS

Type	A (mm)	B (mm)	C (mm)	D (mm)	LOAD kg MIN	LOAD kg MAX	Weight (gr.)	Code
000	45	23	M-8	48	20	80	91	143001

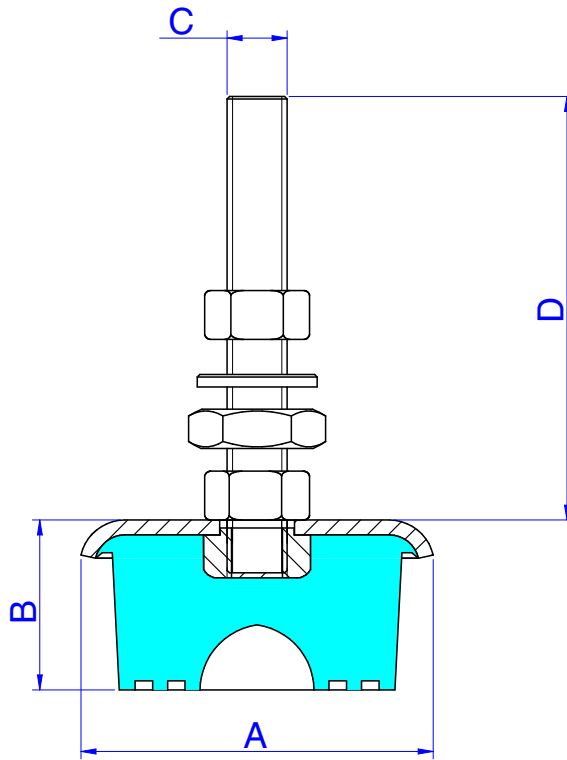
DRAWINGS



DIMENSIONS

Type	A (mm)	B (mm)	C (mm)	D (mm)	LOAD kg MIN	LOAD kg MAX	Weight (gr.)	Code
00	60	28	M-10	81	60	120	235	143002

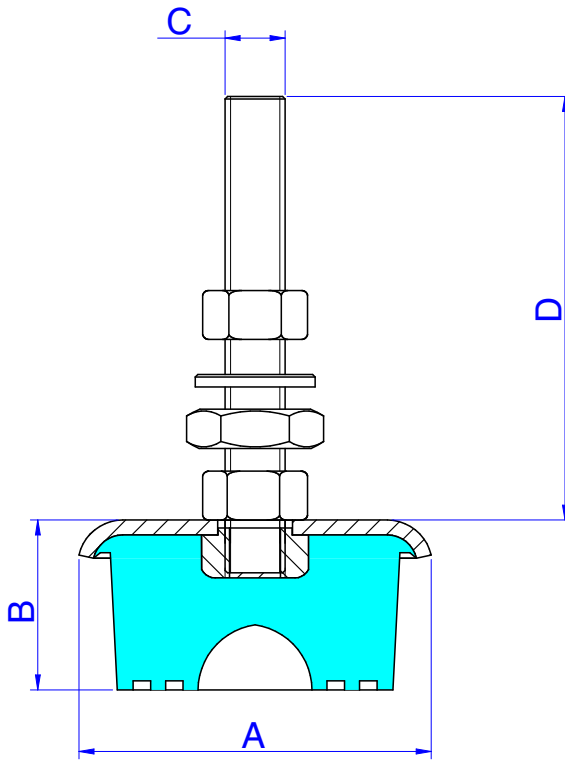
DRAWINGS



DIMENSIONS

Type	A (mm)	B (mm)	C (mm)	D (mm)	LOAD kg MIN	LOAD kg MAX	Weight (gr.)	Code
0	70	34	M-12	89	90	160	350	143003

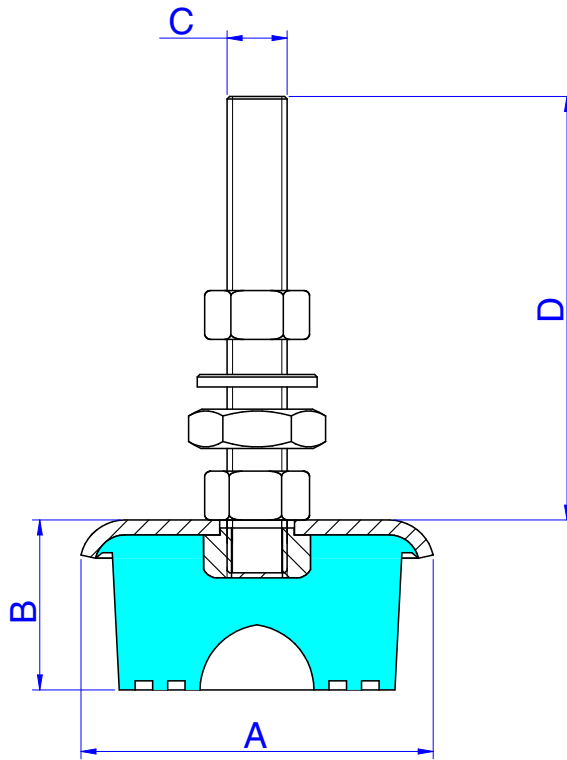
DRAWINGS



DIMENSIONS

Type	A (mm)	B (mm)	C (mm)	D (mm)	LOAD kg MIN	LOAD kg MAX	Weight (gr.)	Code
1	85	32	M-12	89	130	350	456	143004

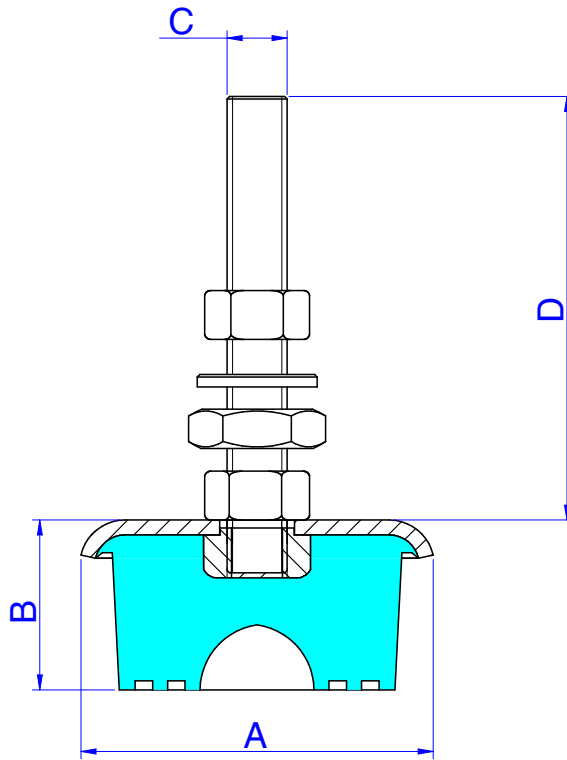
DRAWINGS



DIMENSIONS

Type	A (mm)	B (mm)	C (mm)	D (mm)	LOAD kg MIN	LOAD kg MAX	Weight (gr.)	Code
2	100	40	M-14	109	270	600	702	143005

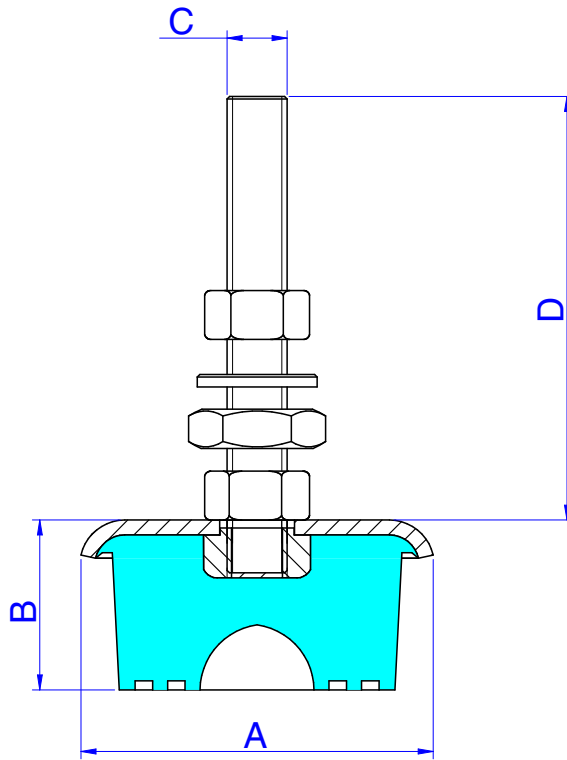
DRAWINGS



DIMENSIONS

Type	A (mm)	B (mm)	C (mm)	D (mm)	LOAD kg MIN	LOAD kg MAX	Weight (gr.)	Code
3	120	37	M-16	116	450	900	954	143006

DRAWINGS

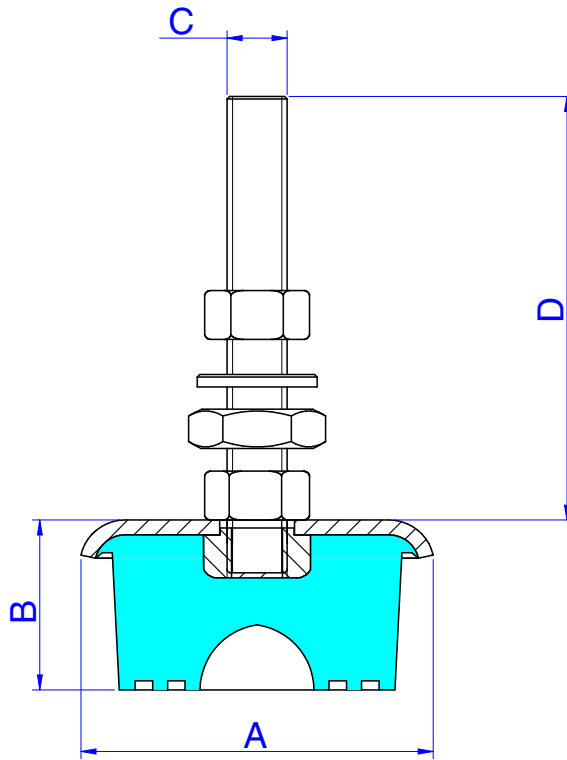


DIMENSIONS

Type	A (mm)	B (mm)	C (mm)	D (mm)	LOAD kg MIN	LOAD kg MAX	Weight (gr.)	Code
4	140	55	M-16	116	700	1200	1513	143007



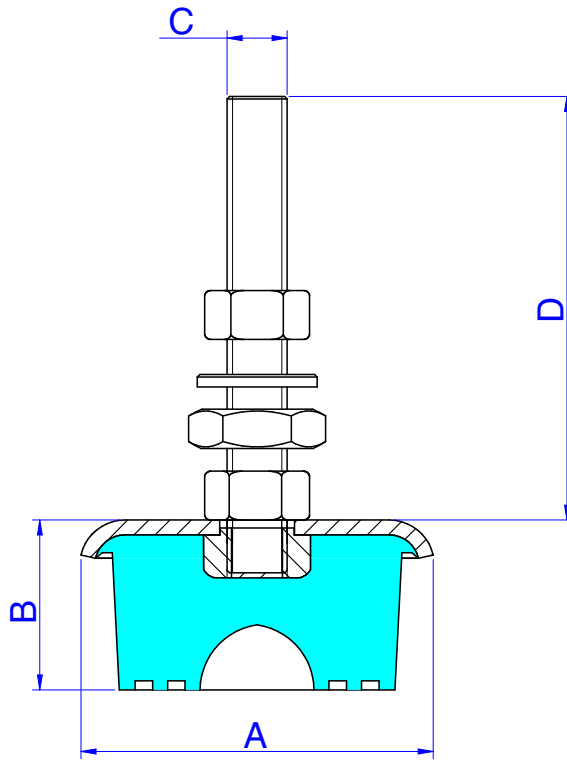
DRAWINGS



DIMENSIONS

Type	A (mm)	B (mm)	C (mm)	D (mm)	LOAD kg MIN	LOAD kg MAX	Weight (gr.)	Code
5	160	60	M-16	116	1100	1750	1865	143008

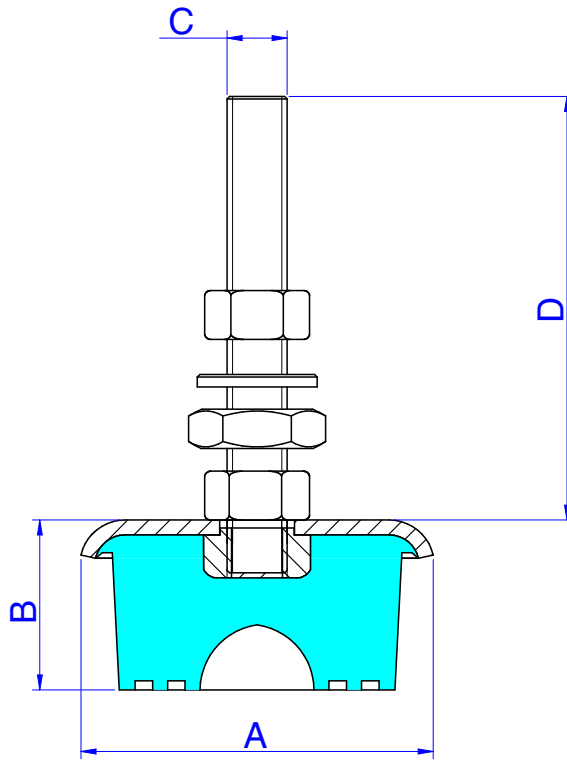
DRAWINGS



DIMENSIONS

Type	A (mm)	B (mm)	C (mm)	D (mm)	LOAD kg MIN	LOAD kg MAX	Weight (gr.)	Code
6	180	70	M-24	138	1500	2500	3034	143009

DRAWINGS



DIMENSIONS

Type	A (mm)	B (mm)	C (mm)	D (mm)	LOAD kg MIN	LOAD kg MAX	Weight (gr.)	Code
7	210	75	M-24	138	2100	3750	4248	143010

### OPERATION AND ASSEMBLY



Height is adjusted by means of a screw, once the machine has been assembled. The wide contact between the base of the machine guarantees good overall stability.

Lift the machine and insert the mount under it. Insert and turn the screw manually until it can be wound into the thread in the mount . Adjust the height of the machine by turning the screw. When the machine is level , lock the mounts using the checknuts.