

# LOW SV ANTI VIBRATION MOUNTS



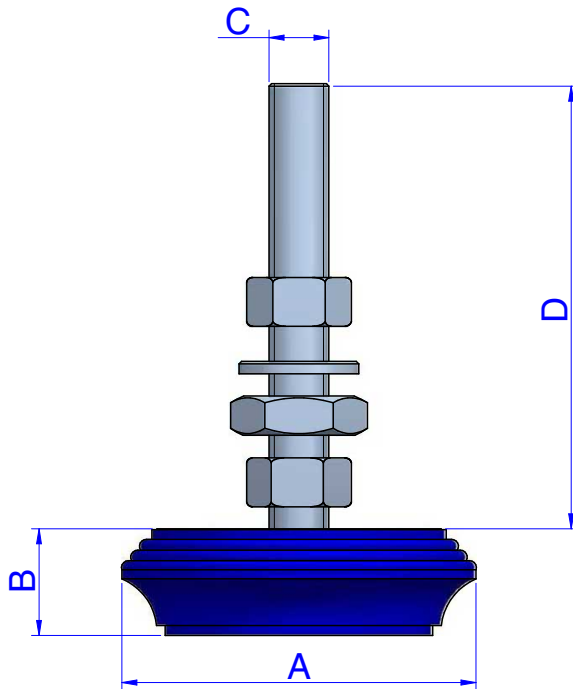
The LOW SV-type AMC Mecanocaucho® anti vibration mounts are used in cases where light or heavy machines are not fixed to the floor or ground. The height adjustment system can be used to adjust the machines to the required level, thus insulating areas nearby from vibrations and reducing noise. The AMC-Mecanocaucho® type LOW SV comes with a tilting system accomodating uneven surfaces.

## TECHNICAL CHARACTERISTICS

The elastomer used is a mixture of oil-resistant synthetic Nitrile Butadyene Rubber (NBR).



## DRAWINGS



## DIMENSIONS

Type	A (mm)	B (mm)	C (mm)	D (mm)	LOAD kg MIN	LOAD kg MAX	Weight (gr.)	Code
000 B	43	16	M-8	45	40	80	257	147000
00 B	60	18	M-10	81	60	120	334	147001
0 B	70	20	M-12	89	90	160	286	147002
1 B	84	25	M-12	88	130	350	382	147003
2 B	100	20	M-14	109	270	600	574	147004
3 B	120	25	M-16	116	450	900	867	147005
4 B	140	33	M-16	116	700	1200	1300	147006
5 B	160	36	M-16	116	1100	1750	1556	147007
00 B STAINLESS STEEL	60	18	M-10	81	60	120	334	147014
0 B STAINLESS STEEL	70	20	M-12	89	90	160	286	147013
1 B STAINLESS STEEL	85	25	M-12	89	130	350	382	147012
2 B STAINLESS STEEL	100	20	M-14	109	270	600	574	147015
3 B STAINLESS STEEL	120	25	M-16	116	450	900	867	147011
4 B STAINLESS STEEL	140	33	M-16	116	700	1200	1300	147016
5 B STAINLESS STEEL	160	36	M-16	116	1100	1750	1556	147017

### OPERATION AND ASSEMBLY



Height is adjusted by means of a screw, once the machine has been assembled. The wide contact between the base of the machine guarantees good overall stability.

Lift the machine and insert the mount under it. Insert and turn the screw manually until it can be wound into the thread in the mount . Adjust the height of the machine by turning the screw. When the machine is level , lock the mounts using the checknuts.