

Rubber Metal anti vibration mounts


# SN ANTI VIBRATION MOUNTS


**AMC**  
MECANOCAUCHO  
NOISE AND  
VIBRATION  
SOLUTIONS




It is a support used in multiple applications, but primarily in marine engines whose excitation frequency is less than or close to 1000 rev/min.



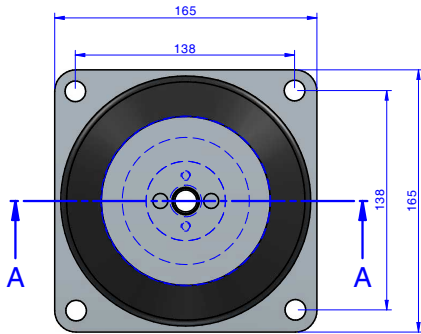
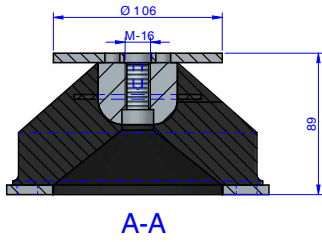
 **AMC MECANOCAUCHO**  
Industrialdea Zona A - Pab. 35.  
Asteasu E-20159, Gipuzkoa  
Spain

 Tel.: +34 943 69 61 02  
Fax: +34 943 69 62 19

 [sales@amcsa.es](mailto:sales@amcsa.es)

 [www.mecanocaucho.com](http://www.mecanocaucho.com)  
[www.akustik.com](http://www.akustik.com)

## DRAWINGS

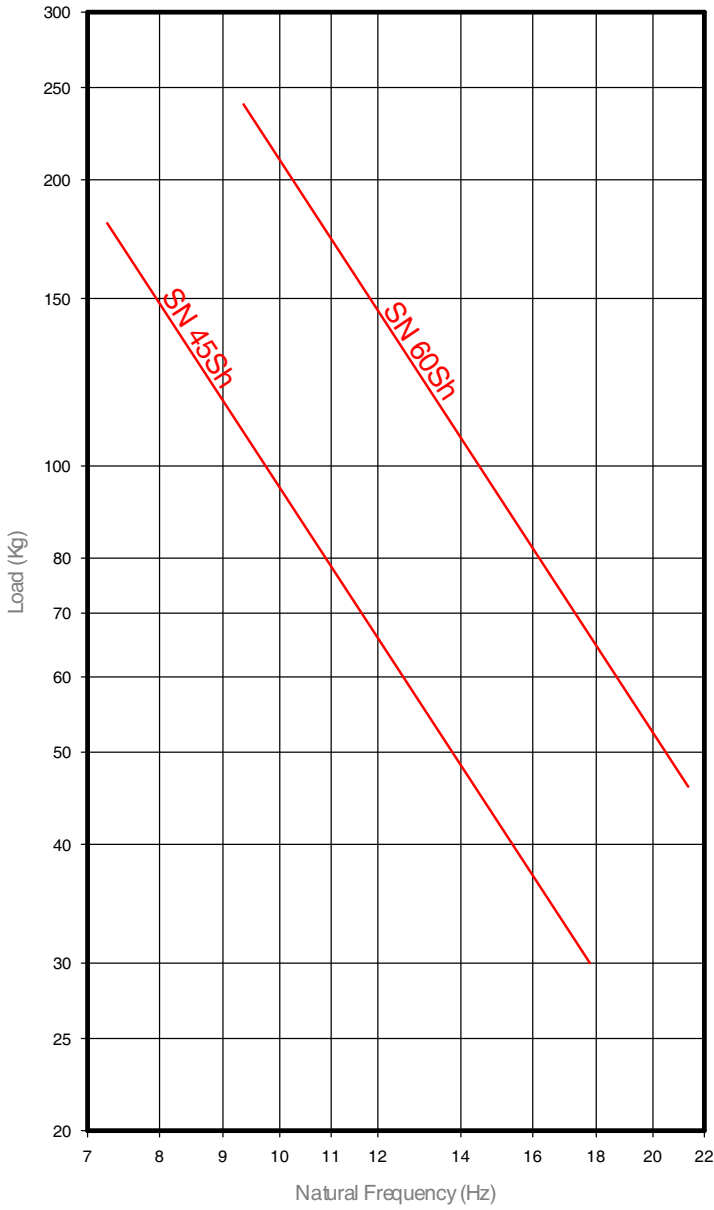


## DIMENSIONS

Type	DEFLECTION mm	Weight (kg)	Shore	Max. Load (kg)	Code
SN	9	2,61	45 Sh	180	139001
	8	2,61	60 Sh	240	139002

## Elastical properties

NATURAL FREQUENCY  
AMC MECANOCAUCHO® SN TYPE



LOAD DEFLECTION GRAPH  
AMC MECANOCAUCHO® SN TYPE

