

SH ANTI VIBRATION MOUNTS



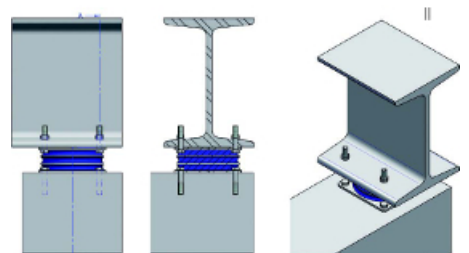
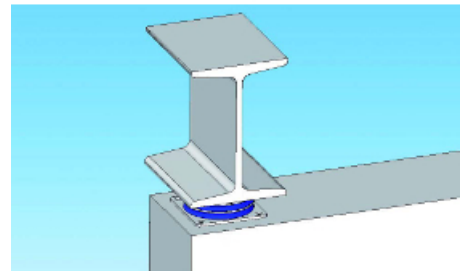
Each anti vibration mount consists of two heavy duty , square , outer metal plates fully bonded to circular profiled rubber layers separated by interleaf metal plates. There are four drilled holes in each square outer plate for attachment to the unit being suspended and to the chassis . The AMC-MECANOCAUCHO® type SH anti vibration mounts provide high static and shock load capacities in compression with minimum deflection whilst also maintaining a low shear stiffness rate .

TECHNICAL CHARACTERISTICS

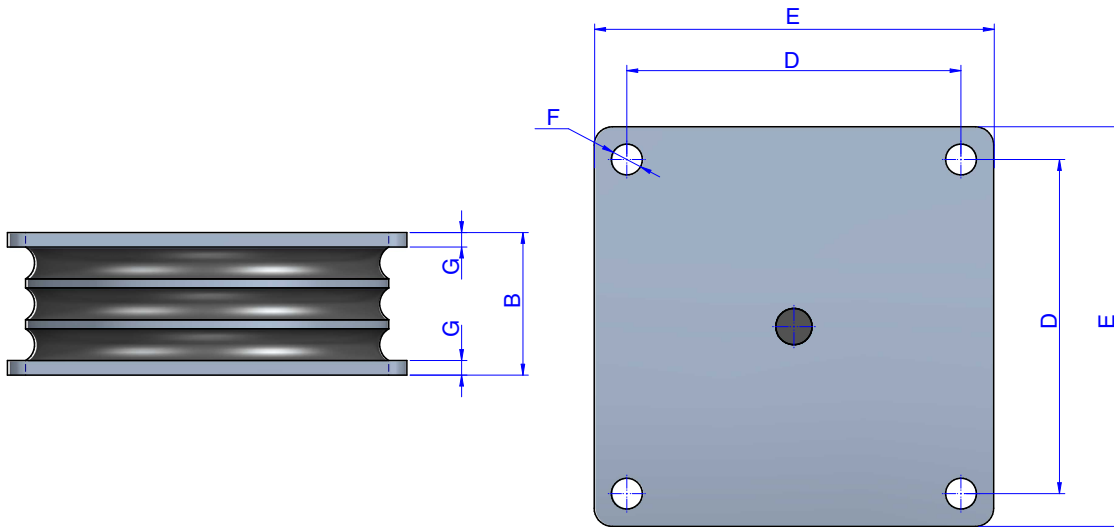
The AMC-MECANOCAUCHO® type SH mounts are designed for long lasting heavy duty applications. They can be supplied in 3 different rubber hardnesses and 3 different sizes of mount to suit applications where the compression load per mount is between 2 to 40 Tons.

APPLICATIONS

High compression capacity, low shear stiffness and relatively low installed heights make the mounts ideal for: Vibratory rollers, Mills, Presses, Heavy machinery, Large Power Plant (in angled configuration), Feeder screens and Crushers . Due to their high load capacity these mounts are also used as point bearings for the vibration isolation of building structures . Our Technical Department can calculate precise angle installations in order to achieve optimum compromise between vibration isolation required and stability of the suspended equipment .



DRAWINGS

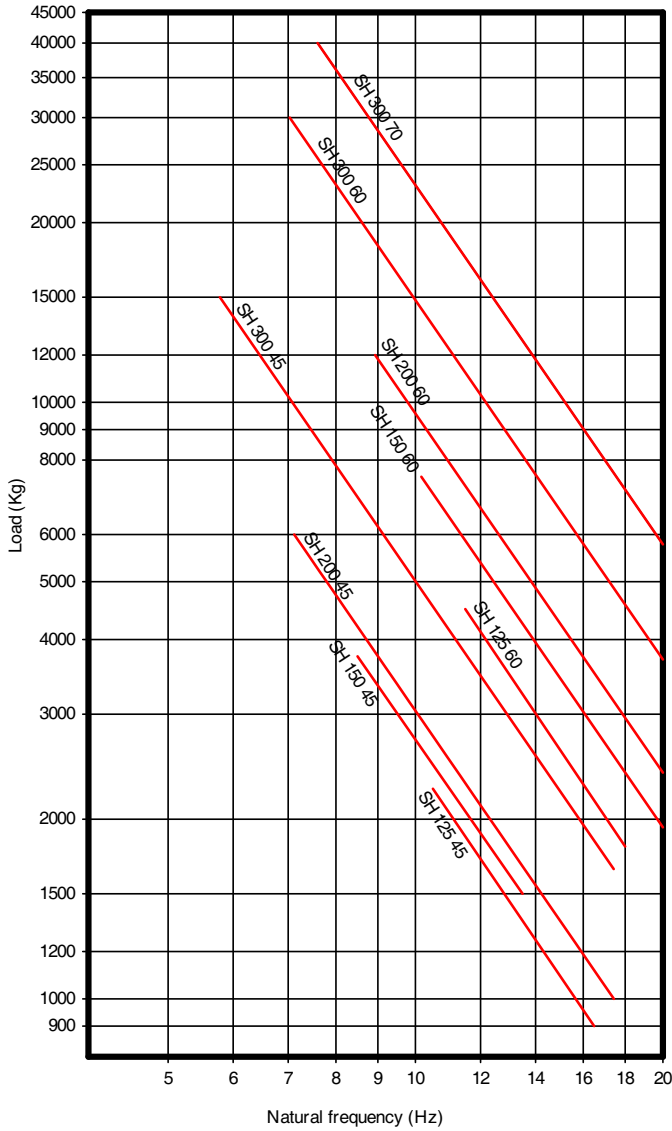


DIMENSIONS

Type	B (mm)	D (mm)	E (mm)	F (mm)	G (mm)	Weight (kg)	Shore	Max. Load (kg)	Code
SH 125	51	118	148	13,5	5	2,5	45 Sh	2250	148213
							60 Sh	4500	148215
SH 150	63	136	166	13,5	6	4,5	45 Sh	3750	148201
							60 Sh	7500	148202
SH 200	78,5	184	220	17	8	9	45 Sh	6000	148204
							60 Sh	12000	148205
SH 300	120	270	310	22	10	27	45 Sh	15000	148207
							60 Sh	30000	148208
							70 Sh	40000	148209

Elastical properties

**NATURAL FREQUENCIES AMC
MECANOCAUCHO SH**



**LOAD DEFLECTION GRAPHS
MECANOCAUCHO SH**

