

SCBR ANTI VIBRATION MOUNTS

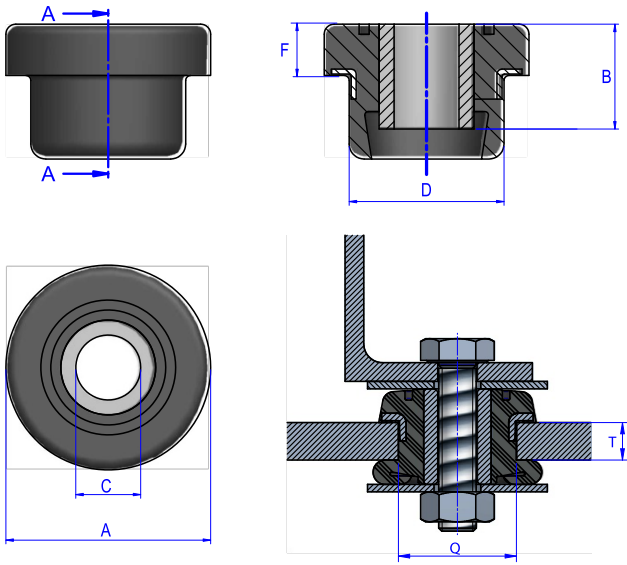


The SCBR elastic mounts are elements that work on the basis of compression since thanks to their design and assembly they provide an anti-rebound effect, thus permitting safety assemblies.

Moreover it contains a metallic part, that avoids a premature wear by friction between the rubber and the housing of the mount.



DRAWINGS

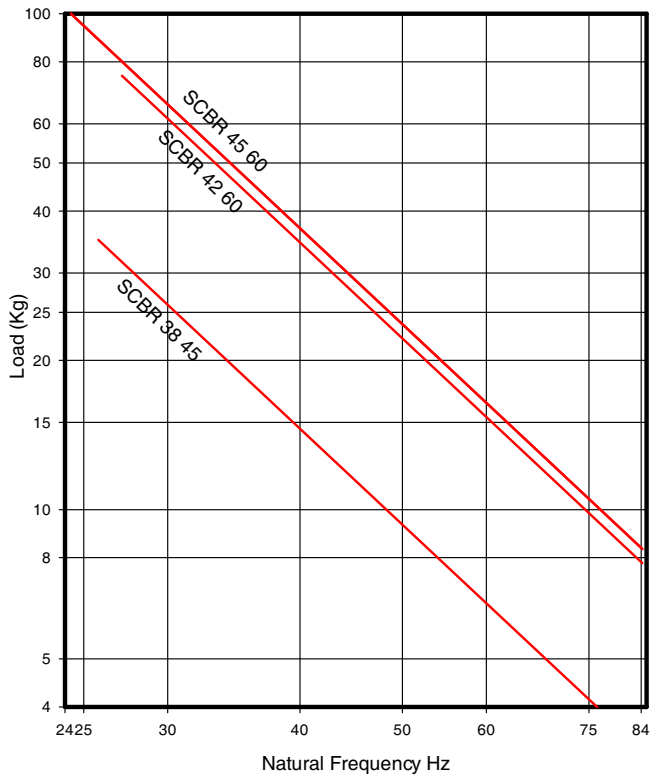


DIMENSIONS

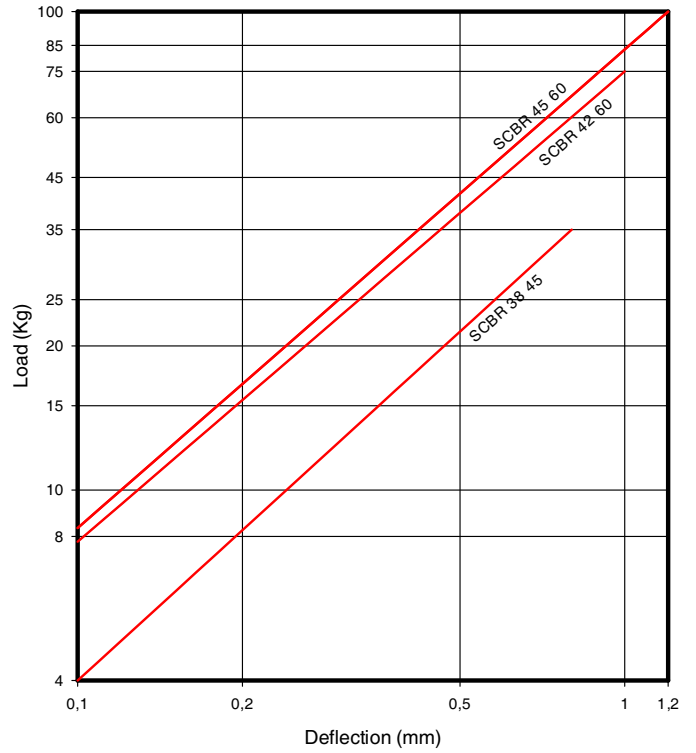
Type	A (mm)	B (mm)	C (mm)	D (mm)	F (mm)	Q (mm)	T (Max.)	T (Min.)	Weight (gr.)	WASHER	Load (kg)	Shore	Code
SCBR 38	34	19	10,75	20,75	11	20,5	5	3	30	611065	35	45 Sh	138045
											60	60 Sh	138047
SCBR 42	42	21,25	13	31,5	9,5	31,5	6	6	40	611080	75	60 Sh	138051
SCBR 45	42	25,5	10,5	31,5	10	31,5	11	10	56	611080	100	60 Sh	138027

Elastical properties

AMC NATURAL FREQUENCY
MECANOCAUCHO® SCBR



AMC LOAD DEFLECTION CURVES
MECANOCAUCHO® SCBR



OPERATION AND ASSEMBLY



Washers should be used, if the rubber surface is not covered with the contact surface.

ADVANTAGES



- Easy to assemble.
- Simple and economical product.
- Wide range of loads.

The inside stop effect makes them very recommendable for safety purposes.