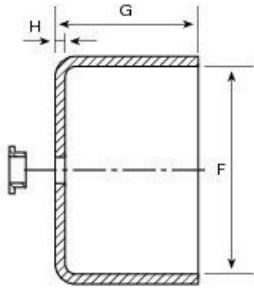




Rubber Metal anti vibration mounts

ELASTIC COUPLINGS D.P. TYPE


AMC
MECANOCAUCHO
NOISE AND
VIBRATION
SOLUTIONS



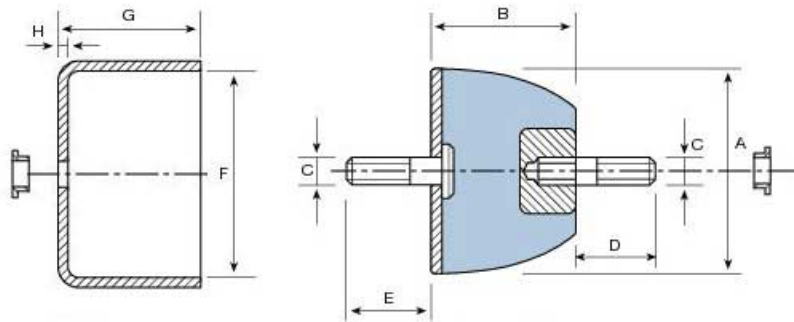
 **AMC MECANOCAUCHO**
Industrialdea Zona A - Pab. 35.
Asteasu E-20159, Gipuzkoa
Spain

 Tel.: +34 943 69 61 02
Fax: +34 943 69 62 19

 sales@amcsa.es

 www.mecanocaucho.com
www.akustik.com

DRAWINGS



DIMENSIONS

Type	FORCE kg	A (mm)	B (mm)	C (mm)	D (mm)	E (mm)	F (mm)	G (mm)	H (mm)	Weight (kg)	Code
ELEMENT DP-2	174	84	52	M-12	30	35	84,5	50	3	0,75	160241
ELEMENT DP-4	300	120	75	M-16	44	49	120	75	5	1,777	160242
ELEMENT DP-6	1000	220	137	M-24	80	80	20	133	10	-	160243
HOOD DP-2	174	84	52	M-12	30	35	84,5	50	3	0,416	160251
HOOD DP-4	300	120	75	M-16	44	49	120	75	5	1,461	160252
HOOD DP-6	1000	220	137	M-24	80	80	20	133	10	-	160253
BUSHING DP-2	174	84	52	M-12	30	35	84,5	50	3	-	160261
BUSHING DP-4	300	120	75	M-16	44	49	120	75	5	0,249	160262
BUSHING DP-6	1000	220	137	M-24	80	80	20	133	10	-	160263