

# Vibrabsorber **SNUBBER ANTI-SEISMIC**



These type of mounts are designed for use in locations subject to earthquakes or other external forces which could displace equipments.

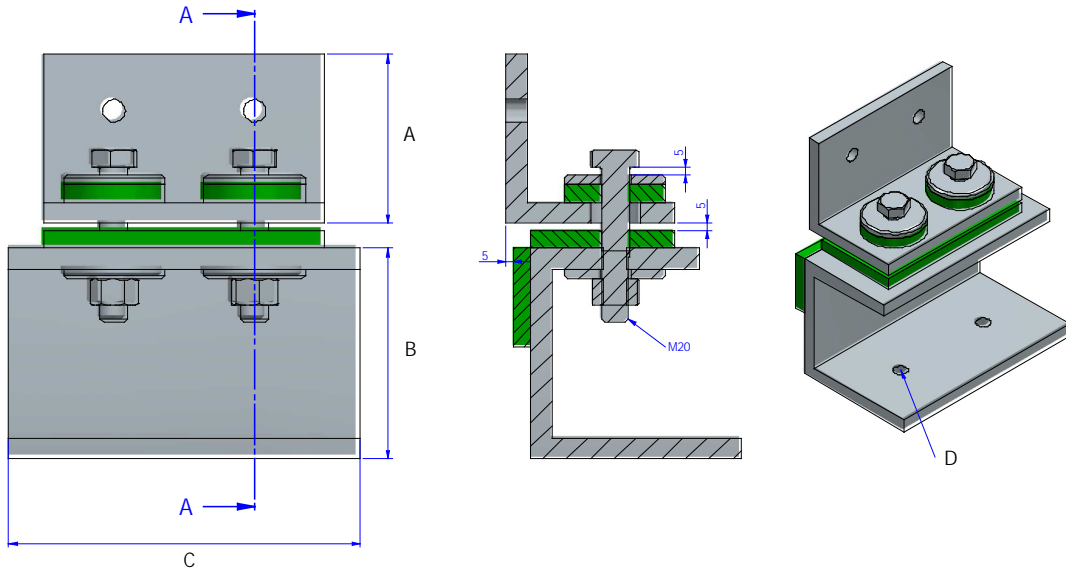
## TECHNICAL CHARACTERISTICS

This model is intended to limit lateral and vertical machine movements.



# Vibrabsorber SNUBBER ANTI-SEISMIC

## DRAWINGS



## DIMENSIONS

Type	SUMMARY	Weight (kg)	Code
SNUBBER 4 ANTI-SEISMIC	Dimensions A, B, C and D could vary according to the selected mount and the characteristics of the frame	-	22000