

Vibrabsorber

6V-SR ANTI SEISMIC MOUNTS



- A spring with high elasticity and very low natural frequency
- An incorporated levelling system
- A Sylomer® pad under the mount base in order to isolate mid-high frequencies comes standard

TECHNICAL CHARACTERISTICS

The mounts are able to reach low natural frequencies from 3 to 5 Hz. The spring combined with Sylomer® is able to provide high isolation at low-medium-high frequencies.

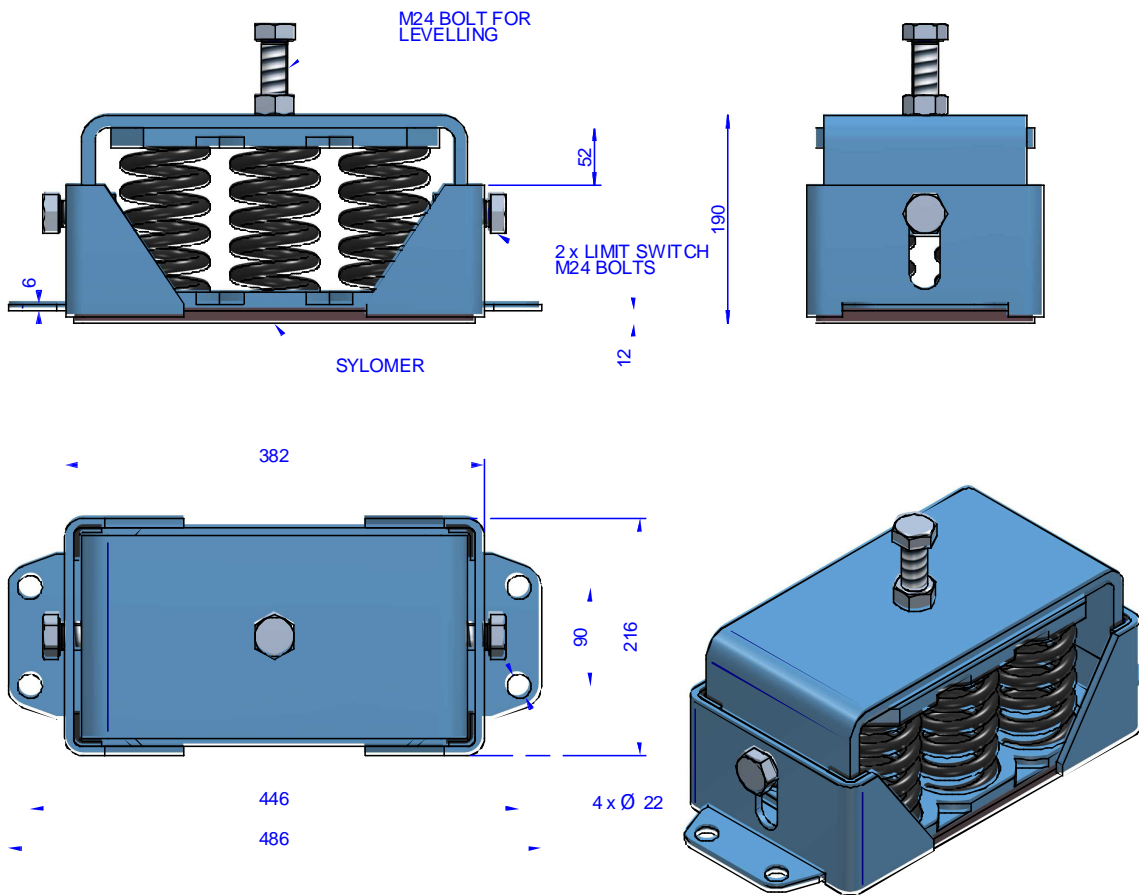
The curves are showing the deflection and natural frequencies according to the load of the spring. Working range temperature from -30°C to +70°C. Short term higher temperatures are possible.



Vibrabsorber

6V-SR ANTI SEISMIC MOUNTS

DRAWINGS



DIMENSIONS

Type	Spring color	Load (kg)	Weight (kg)	Code
6V-SR-3900 ANTI SEISMIC + SYLOMER	BLACK	3900	35.812	20877
6V-SR-4800 ANTI SEISMIC + SYLOMER	BLACK	4800	35.962	20878
6V-SR-6000 ANTI SEISMIC + SYLOMER	BLACK	6000	37.792	20879
6V-SR-7200 ANTI SEISMIC + SYLOMER	BLACK	7200	38.236	20880

Vibrabsorber

6V-SR ANTI SEISMIC MOUNTS

Elastical properties

