

4 AMC ANTI-SEISMIC

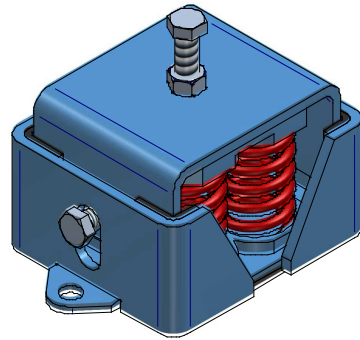
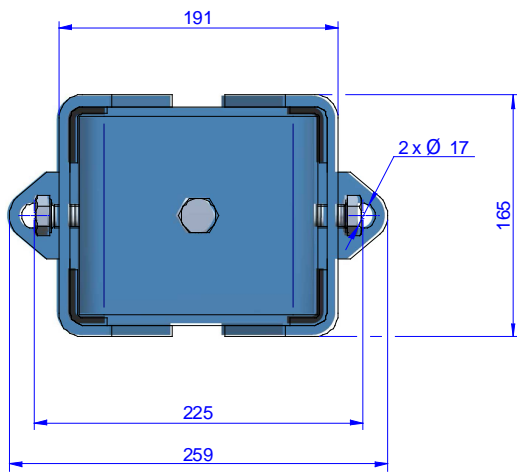
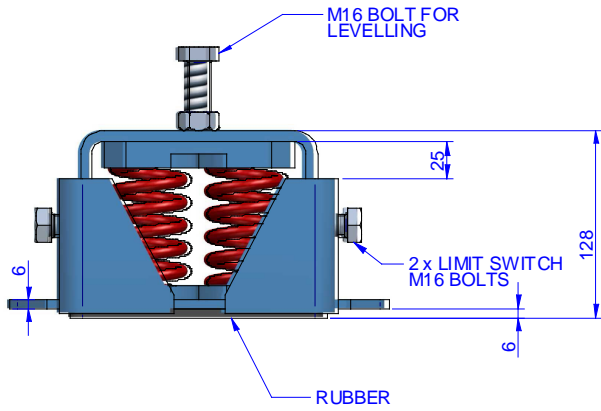


These brackets are made of mechanical anchoring systems which ensure your unit applications static and provide high reliability for the isolation of low frequency vibrations. In order to improve their performance in seismic applications the technical department of AMC-MECANOCAUCHO designed a new internal architecture to resist such environments.



4 AMC ANTI-SEISMIC

DRAWINGS

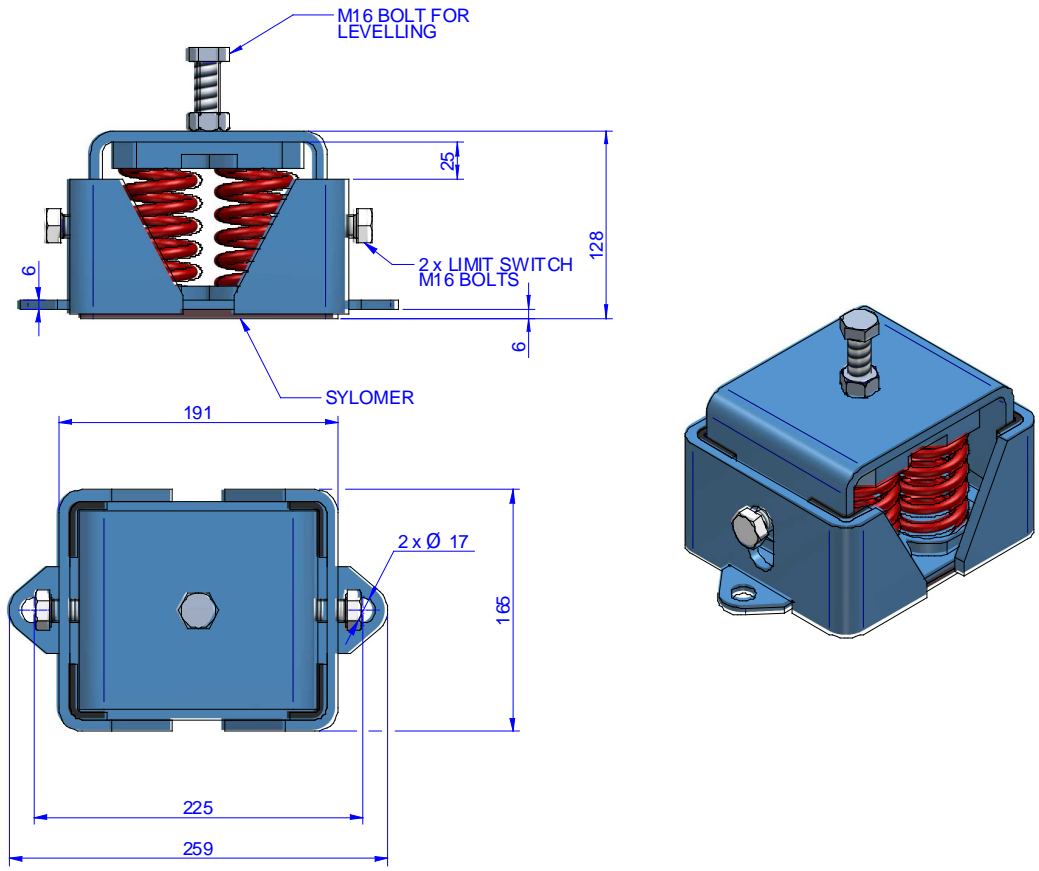


DIMENSIONS

Type	No. Springs	Spring color	DEFLECTION mm	Weight (kg)	LOAD kg MAX	Code
4 AMC ANTI-SEISMIC	4	PURPLE	22	10,594	1220	20700
	4	GREEN	22	10,894	1620	20696
	4	GREY	22	11,346	2160	20697
	4	WHITE	22	11,002	2448	20698
	4	RED	22	11,69	3212	20699

4 AMC ANTI-SEISMIC

DRAWINGS



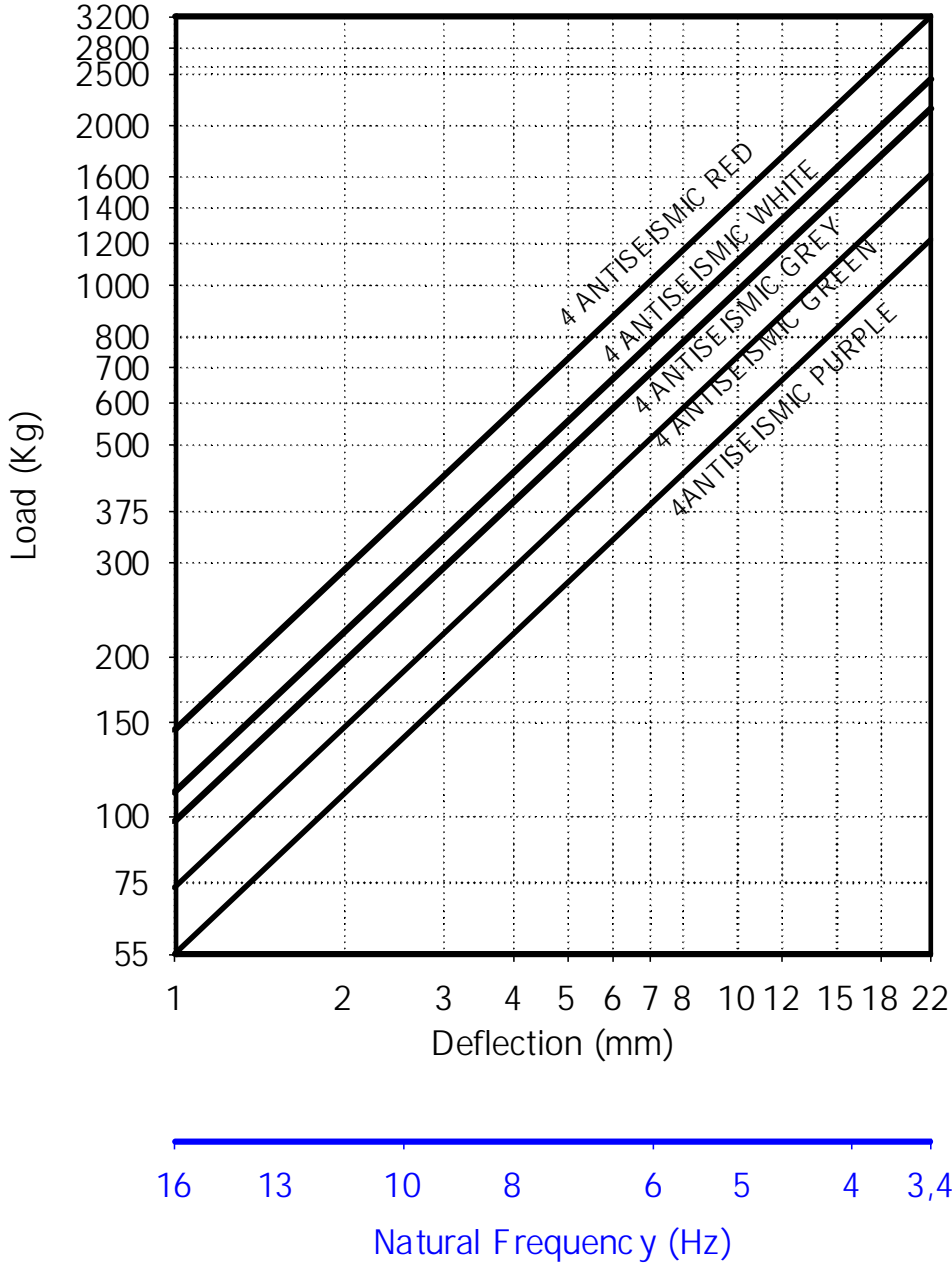
DIMENSIONS

Type	No. Springs	Spring color	DEFLECTION mm	Weight (kg)	LOAD kg MAX	Code
4 AMC ANTI-SEISMIC + SYLOMER	4	PURPLE	22	10,54	1220	20686
	4	GREEN	22	10,84	1620	20687
	4	GREY	22	11,292	2160	20688
	4	WHITE	22	10,948	2448	20689
	4	RED	22	11,636	3212	20690

4 AMC ANTI-SEISMIC

Elastical properties

LOAD DEFLECTION CURV E
VIBRABS ORBER 4 A NTISEISMIC



4 AMC ANTI-SEISMIC

ADVANTAGES



In addition to its resistance, these pieces offer the following advantages:

- **TRANSPORT SAFETY:** Vibrabsorber seismic brackets feature a locking device, so that the brackets are locked during the transport of the machine.
- **NOISE ISOLATION STRUCTURE:** The microcellular polyurethane Sylomer® pad these supports have under their base insulates the mid and high frequencies that are transmitted by the spring.