

Vibrabsorber

1V-SH ANTI SEISMIC MOUNTS



- A spring with high elasticity and very low natural frequency
- An incorporated levelling system
- A Sylomer® pad under the mount base in order to isolate mid-high frequencies comes standard

TECHNICAL CHARACTERISTICS

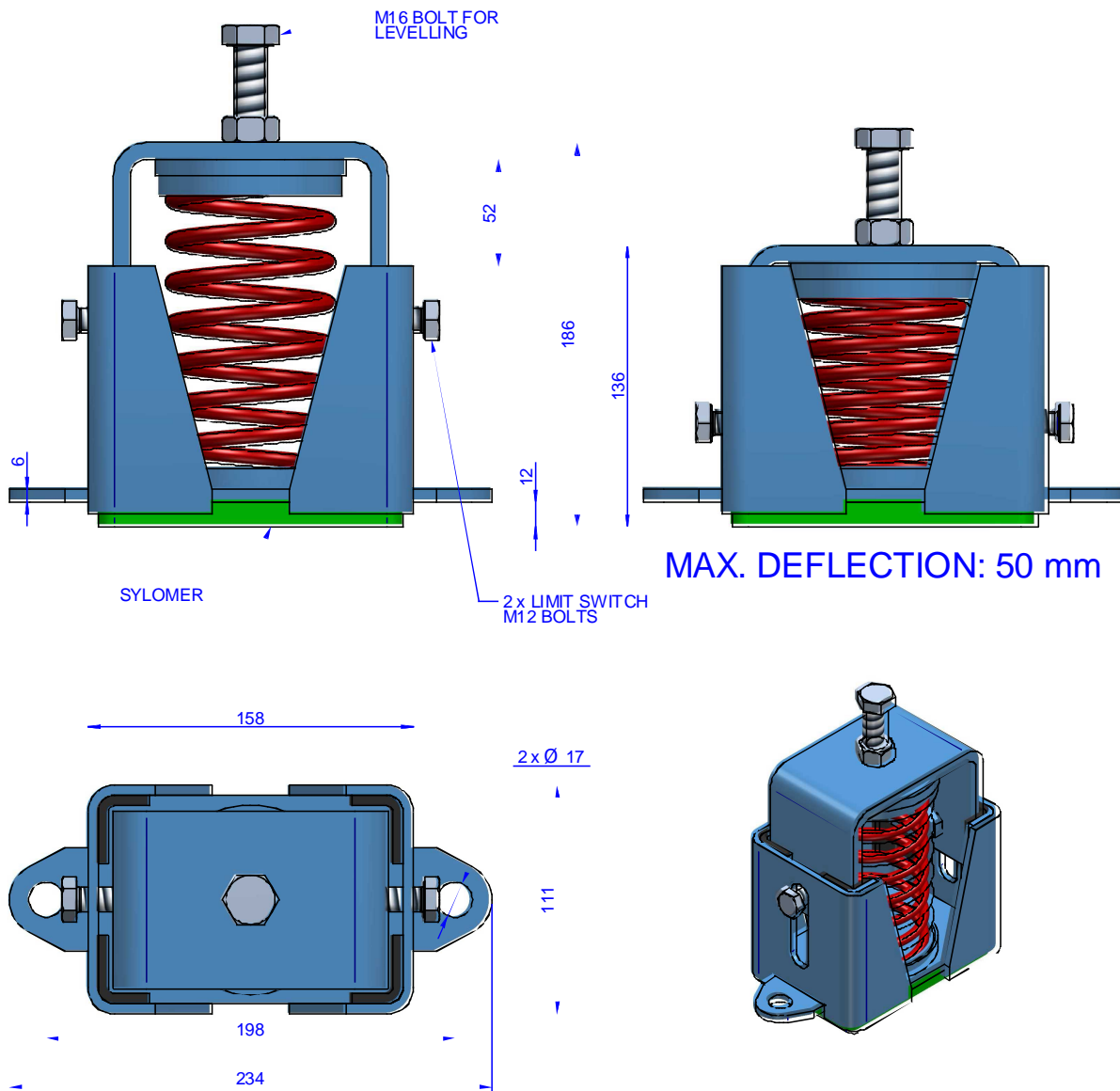
The mounts are able to reach low natural frequencies from 3 to 5 Hz. The spring combined with Sylomer® is able to provide high isolation at low-medium-high frequencies.

The curves are showing the deflection and natural frequencies according to the load of the spring. Working range temperature from -30°C to +70°C. Short term higher temperatures are possible.



Vibrabsorber 1V-SH ANTI SEISMIC MOUNTS

DRAWINGS



DIMENSIONS

Type	Spring color	Load (kg)	Weight (kg)	Code
1V-SH-67 ANTI SEISMIC + SYLOMER	BLUE	67	5.759	20653
1V-SH-95 ANTI SEISMIC + SYLOMER	WHITE	95	5.816	20654
1V-SH-123 ANTI SEISMIC + SYLOMER	BLACK	123	5.84	20655
1V-SH-173 ANTI SEISMIC + SYLOMER	BEIGE	173	5.93	20656
1V-SH-223 ANTI SEISMIC + SYLOMER	RED	223	6.301	20657
1V-SH-335 ANTI SEISMIC + SYLOMER	GREY	335	6.502	20658
1V-SH-446 ANTI SEISMIC + SYLOMER	GREEN	446	6.768	20659

Vibrabsorber

1V-SH ANTI SEISMIC MOUNTS

Elastical properties

