

Vibrabsorber **6 AMC**



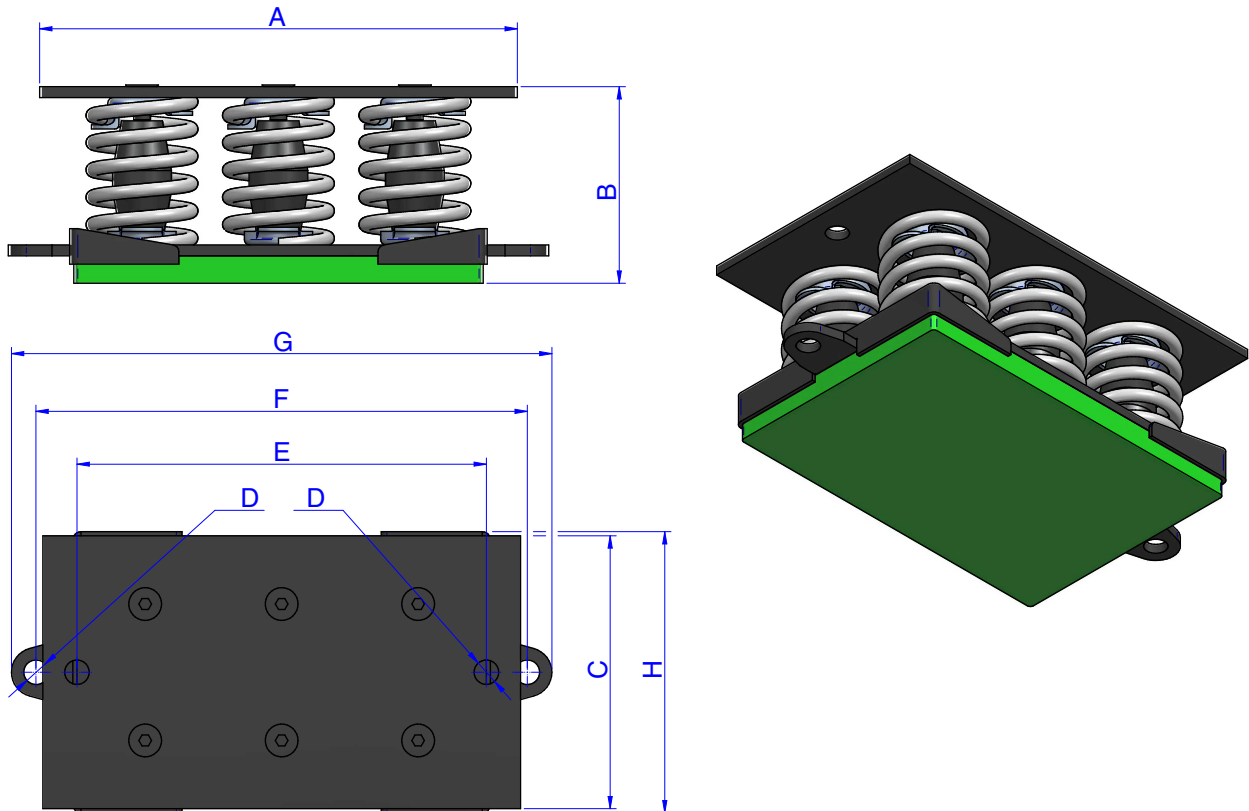
Spring mount is necessary in all machinery, which, by virtue of its design, has reciprocating or rotating parts, creates vibration to some degree through the imbalance of the moving parts.

This vibration produced by a machine leads to different problems, such as a reduction in the machine's useful life through part wear, plus the transmission of this vibration to other non-insulated adjacent structures, giving rise to problems of noise and vibration transmission. It is therefore important to install a spring mount to machinery.



Vibrabsorber 6 AMC

DRAWINGS

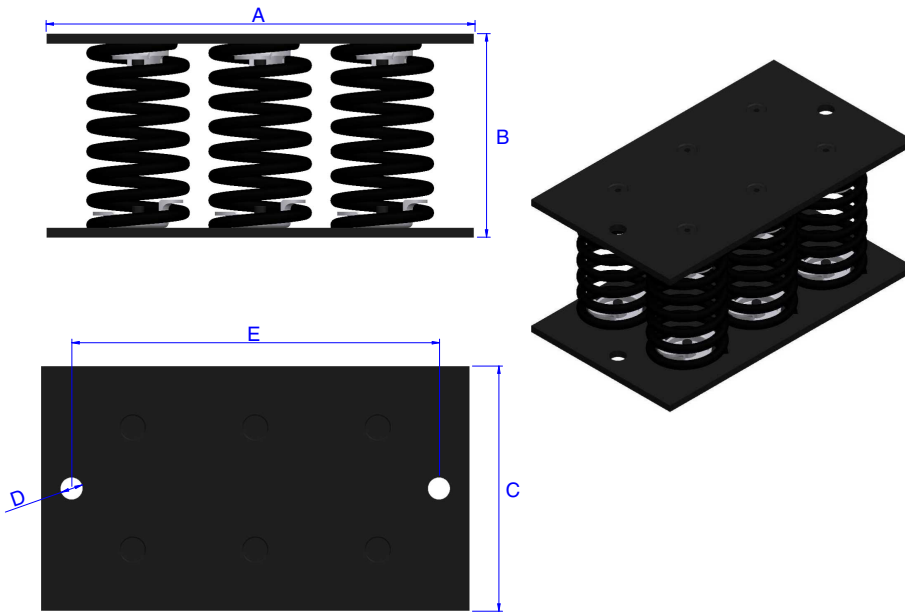


DIMENSIONS

Type	A (mm.)	B (mm.)	Spring color	C (mm.)	D (mm.)	E (mm.)	F (mm.)	G (mm.)	H (mm.)	Max. Load (kg.)	Weight (kg.)	Code
6 AMC 900+Sylomer®	280	136	BLUE	150	16	248	290	322	156	900	8,928	20871
6 AMC 1200+Sylomer®	280	136	WHITE	150	16	248	290	322	156	1200	9,156	20872
6 AMC 1500+Sylomer®	280	136	BLACK	150	16	248	290	322	156	1500	9,684	20873
6 AMC 2100+Sylomer®	280	136	CREAM	150	16	248	290	322	156	2100	10,77	20874
6 AMC 3000+Sylomer®	350	136	LIGHT GREY	200	18	300	360	396	206	3000	16,848	20875
6 AMC 4500+Sylomer®	350	136	GREEN	200	18	300	360	396	206	4500	19,656	20876

Vibrabsorber 6 AMC

DRAWINGS



DIMENSIONS

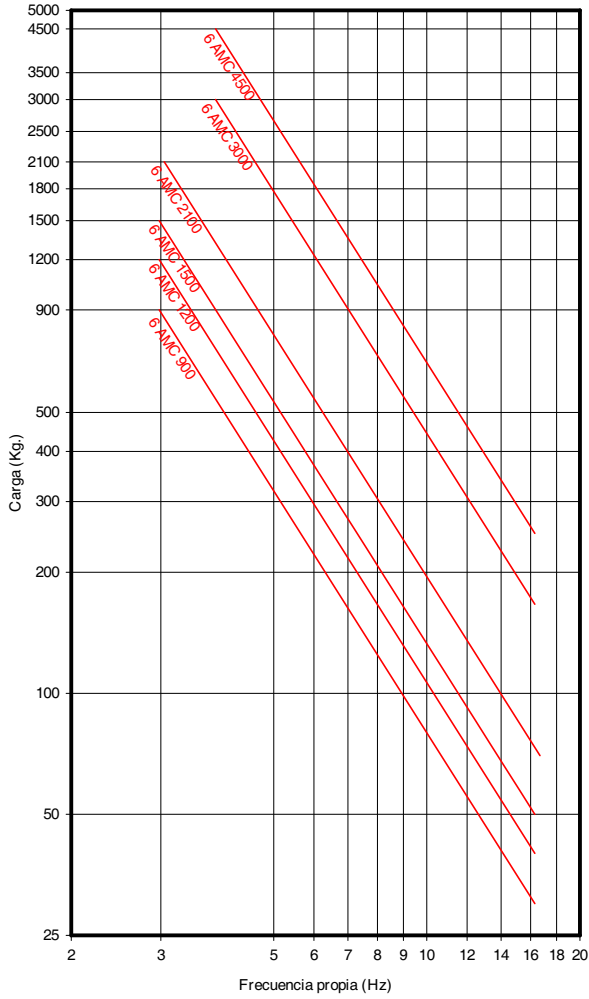
Type	A (mm.)	B (mm.)	Spring color	C (mm.)	D (mm.)	E (mm.)	Max. Load (kg.)	Weight (kg.)	Code
6 AMC 900	280	124	BLUE	150	16	251	900	8,928	20801
6 AMC 1.200	280	124	WHITE	150	16	251	1200	9,156	20811
6 AMC 1.500	280	124	BLACK	150	16	251	1500	9,684	20821
6 AMC 2.100	280	124	CREAM	150	16	251	2100	10,77	20831
6 AMC 3.000	350	124	LIGHT GREY	200	18	300	3000	16,848	20841
6 AMC 4.500	350	124	GREEN	200	18	300	4500	19,656	20851

Vibrabsorber

6 AMC

Elastical properties

AMC FRECUENCIAS PROPIAS
MECANOCAUCHO® Tipo 6 AMC



AMC CARGA DEFORMACION
MECANOCAUCHO® Tipo 6 AMC

