

## Vibrabsorber 4 AMC T



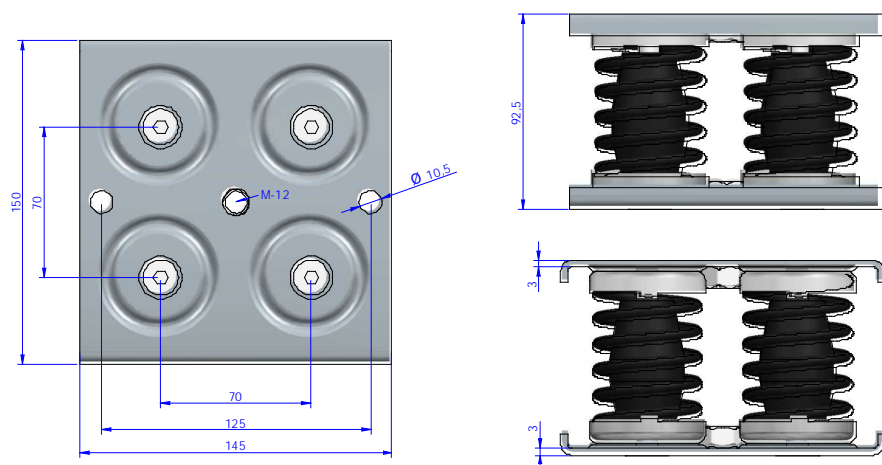
Spring mount is necessary in all machinery, which, by virtue of its design, has reciprocating or rotating parts, creates vibration to some degree through the imbalance of the moving parts.

This vibration produced by a machine leads to different problems, such as a reduction in the machine's useful life through part wear, plus the transmission of this vibration to other non-insulated adjacent structures, giving rise to problems of noise and vibration transmission. It is therefore important to install a spring mount to machinery.



# Vibrabsorber 4 AMC T

## DRAWINGS



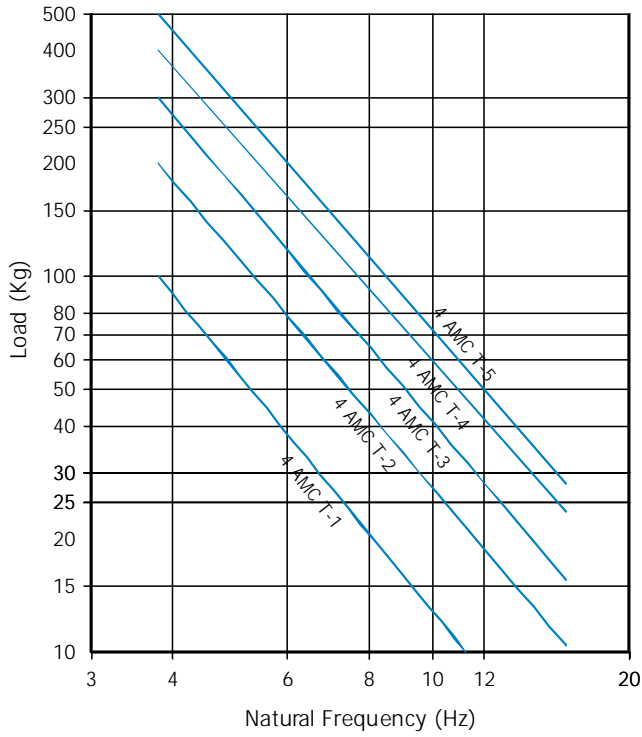
## DIMENSIONS

Type	Spring color	LOAD kg MIN	LOAD kg MAX	Weight (kg)	Code
4 AMC T-1	BLACK	40	100	6,423	20011
4 AMC T-2	BLUE	100	200	6,645	20012
4 AMC T-3	GREY	200	300	6,899	20013
4 AMC T-4	BEIGE	300	400	6,954	20014
4 AMC T-5	WHITE	400	500	7,122	20015

# Vibrabsorber 4 AMC T

Elastical properties

NATURAL FREQUENCY  
MECANOCAUCHO® 4 AMC T



LOAD DEFLECTION  
MECANOCAUCHO® 4 AMC T

