

Vibrabsorber **3 AMC**



Spring mount is necessary in all machinery, which, by virtue of its design, has reciprocating or rotating parts, creates vibration to some degree through the imbalance of the moving parts.

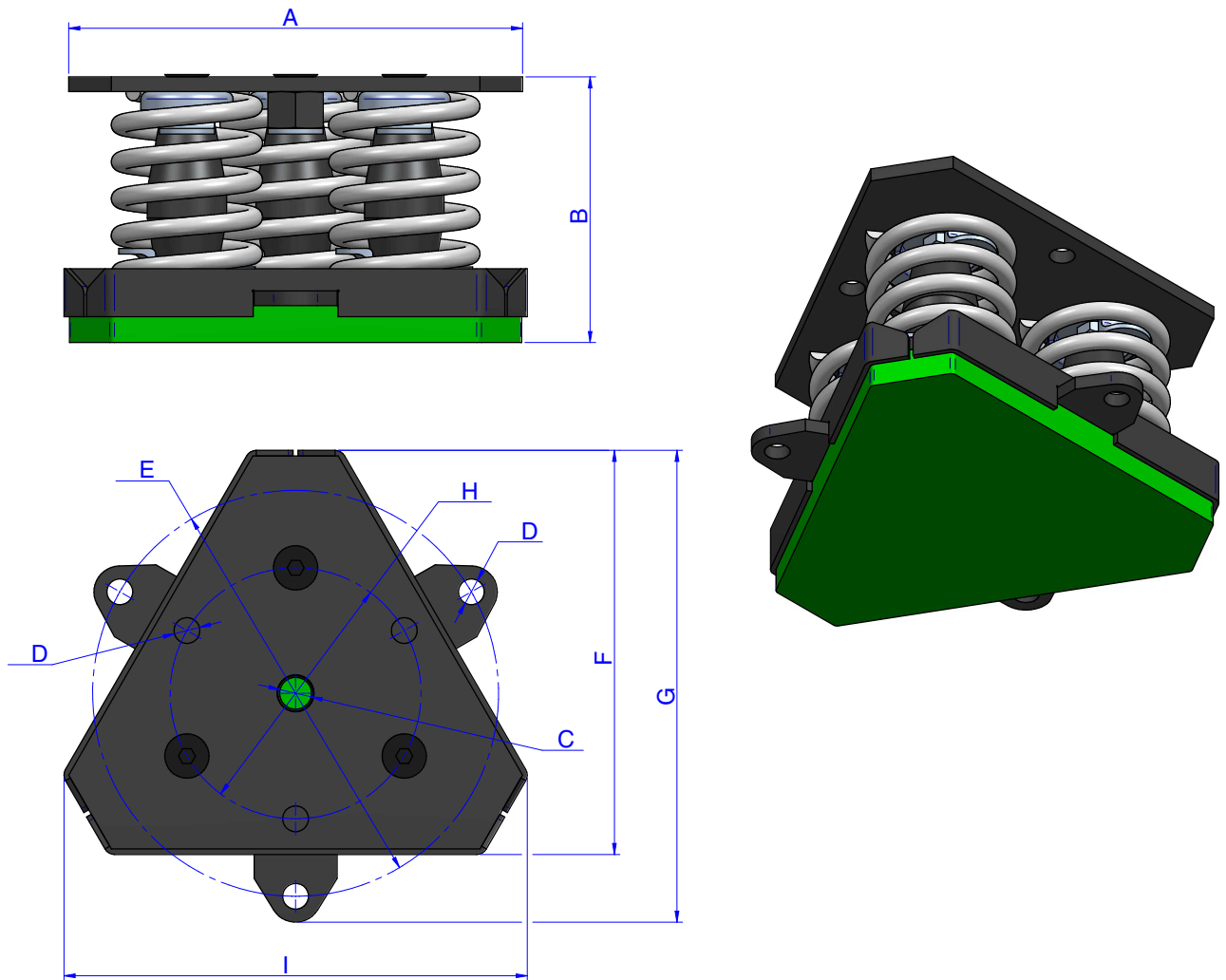
This vibration produced by a machine leads to different problems, such as a reduction in the machine's useful life through part wear, plus the transmission of this vibration to other non-insulated adjacent structures, giving rise to problems of noise and vibration transmission. It is therefore important to install a spring mount to machinery.



Vibrabsorber

3 AMC

DRAWINGS



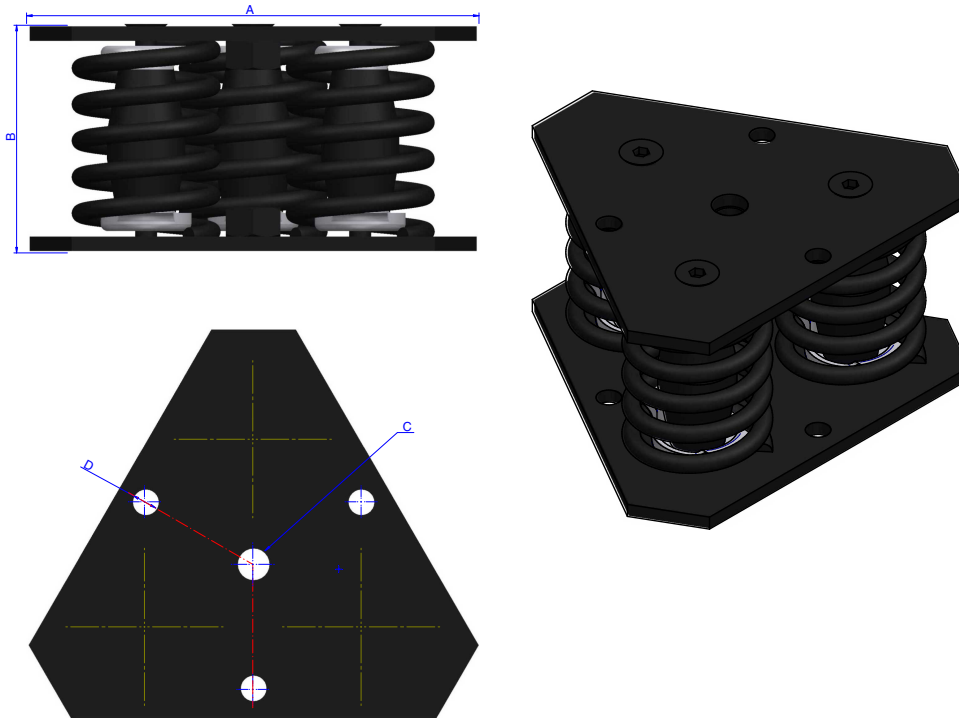
DIMENSIONS

Type	A (mm.)	B (mm.)	Spring color	C (mm.)	D (mm.)	E (mm.)	F (mm.)	G (mm.)	H (mm.)	I (mm.)	Max. Load (kg.)	Weight (kg.)	Code
3 AMC 450+Sylomer®	196,3	136	BLUE	M-16	12	180	176	207,7	110	201,4	450	4,6	20571
3 AMC 600+Sylomer®	196,3	136	WHITE	M-16	12	180	176	207,7	110	201,4	600	4,714	20572
3 AMC 750+Sylomer®	196,3	136	BLACK	M-16	12	180	176	207,7	110	201,4	750	4,978	20573
3 AMC 1050+Sylomer®	196,3	136	CREAM	M-16	12	180	176	207,7	110	201,4	1050	5,524	20574
3 AMC 1500+Sylomer®	246	136	LIGHT GREY	M-20	14	220	219	255,7	136	251	1500	8,564	20575
3 AMC 2250+Sylomer®	246	136	GREEN	M-20	14	220	219	255,7	136	251	2250	9,964	20576

Vibrabsorber

3 AMC

DRAWINGS



DIMENSIONS

Type	A (mm.)	B (mm.)	Spring color	C (mm.)	D (mm.)	Max. Load (kg.)	Weight (kg.)	Code
3 AMC 450	196,3	124	BLUE	M-16	12	450	4,6	20501
3 AMC 600	196,3	124	WHITE	M-16	12	600	4,714	20511
3 AMC 750	196,3	124	BLACK	M-16	12	750	4,978	20521
3 AMC 1050	196,3	124	CREAM	M-16	12	1050	5,524	20531
3 AMC 1500	242	124	LIGHT GREY	M-20	14	1500	8,564	20541
3 AMC 2250	242	124	GREEN	M-20	14	2250	9,964	20551

Vibrabsorber 3 AMC

Elastical properties

