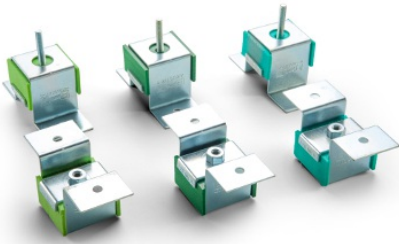


AKUSTIK 1 + SYLOMER®



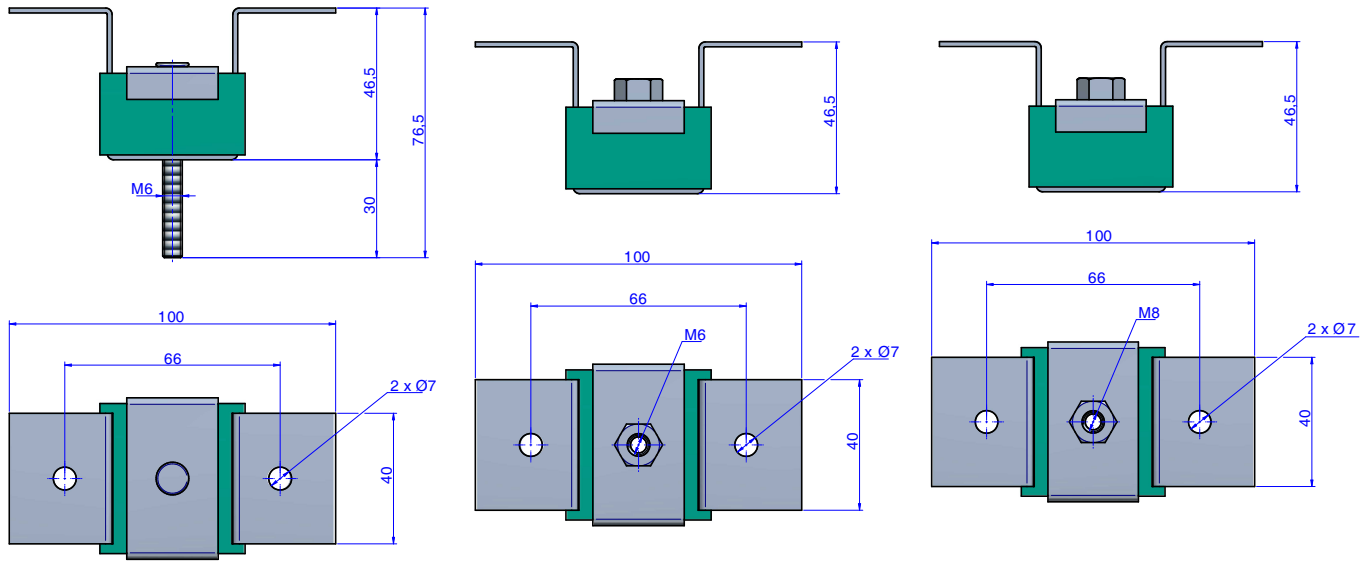
These acoustic hangers have been conceived for the suspension of false ceilings, vibrating pipelines and machinery that has to be suspended.

The excellent properties of the Sylomer® microcellular polyurethane material achieve elevated isolation values as opposed to other mounts that use rubber or cork, or a combination of both. These antivibration mounts are manufactured in two special mixes of Sylomer® to adapt better to the load of each application.

A great variety of fixing metal armors and elements facilitate the installation and to adapt better to each type of job. Their rugged metal parts can withstand tensile stresses from 650Kg to 1000Kg. They are supplied with an anticorrosive treatment that can withstand the toughest environments.



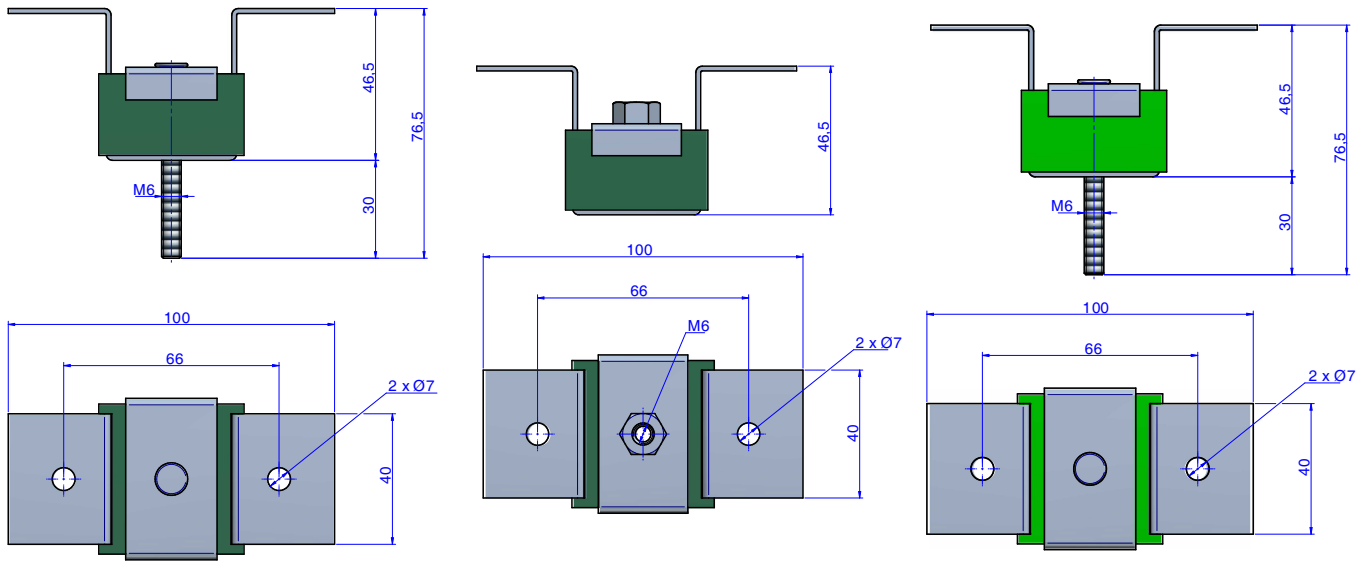
DRAWINGS



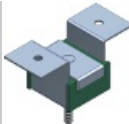
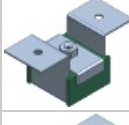
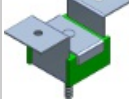
DIMENSIONS

	Type	SUMMARY	LOAD kg MAX	Weight (kg)	Code
	Akustik 1 + Sylomer®30 Type A	Metal armor of the Akustik 1 secured to the ceiling with two holes and an M6 male fixing type (Type A)	30	0,133	23501
	Akustik 1 + Sylomer®30 Type B M-6	Metal armor of the Akustik 3 secured to the ceiling by a welded M6 nut.	30	0,125	23509
	Akustik 1 + Sylomer®30 Type B M-8	Metal armor of the Akustik 3 secured to the ceiling by a welded M8 nut.	30	0,125	23603

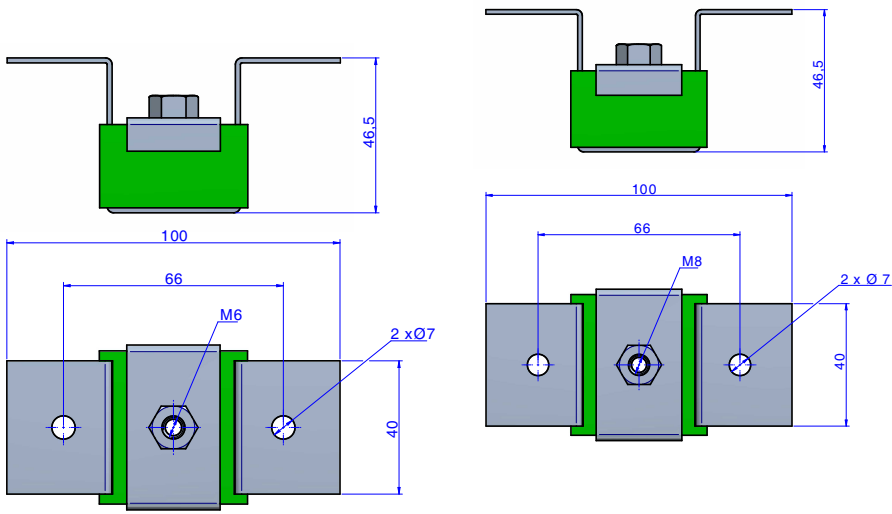
DRAWINGS



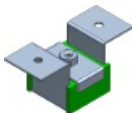
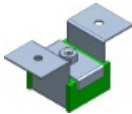
DIMENSIONS

	Type	SUMMARY	LOAD kg MAX	Weight (kg)	Code
	Akustik 1 + Sylomer®50 Type A	Metal armor of the Akustik 1 secured to the ceiling with two holes and an M6 male fixing type (Type A)	50	0,140	23502
	Akustik 1 + Sylomer®50 Type B	Metal armor of the Akustik 3 secured to the ceiling by a welded M6 nut.	50	0,12	23520
	Akustik 1 + Sylomer®75 Type A	Metal armor of the Akustik 1 secured to the ceiling with two holes and an M6	75	0,146	23517

DRAWINGS



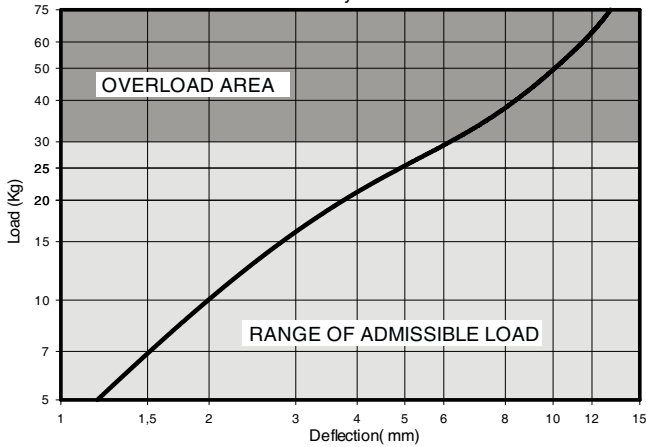
DIMENSIONS

	Type	SUMMARY	LOAD kg MAX	Weight (kg)	Code
	Akustik 1 + Sylomer®75 Type B M-6	Metal armor of the Akustik 3 secured to the ceiling by a welded M6 nut.	75	0,12	23525
	Akustik 1 + Sylomer®75 Type B M-8	Metal armor of the Akustik 1 secured to the ceiling by a welded M8 nut.	75	0,12	23604

Elastical properties

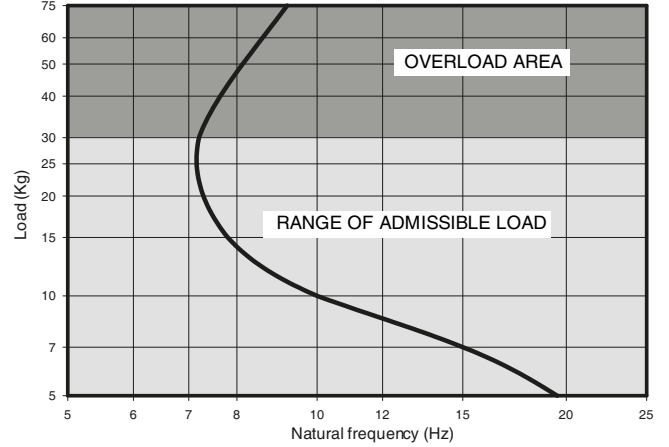
LOAD/DEFLECTION GRAPH

Akustik + Sylomer 30

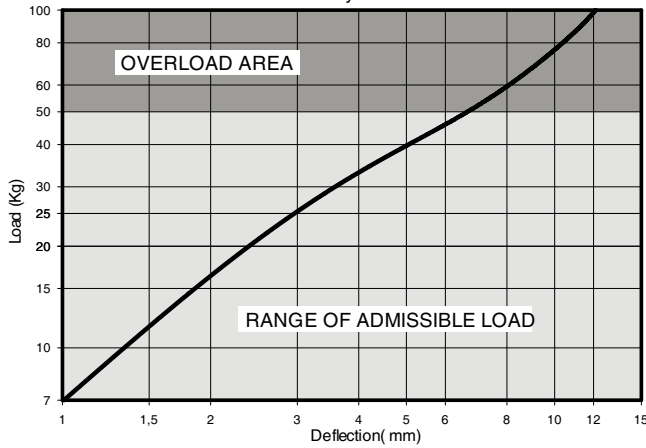


NATURAL FREQUENCY

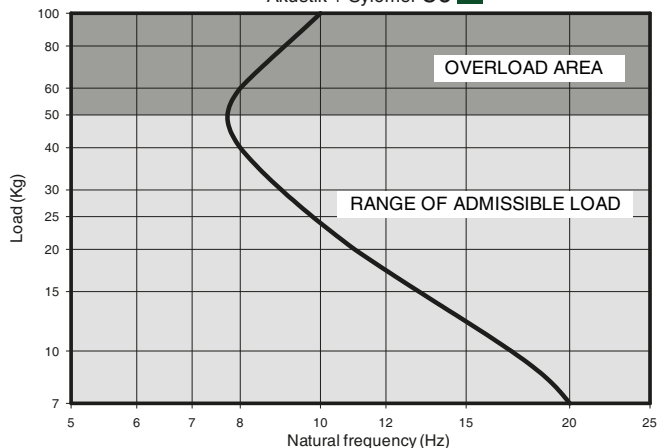
Akustik + Sylomer 30



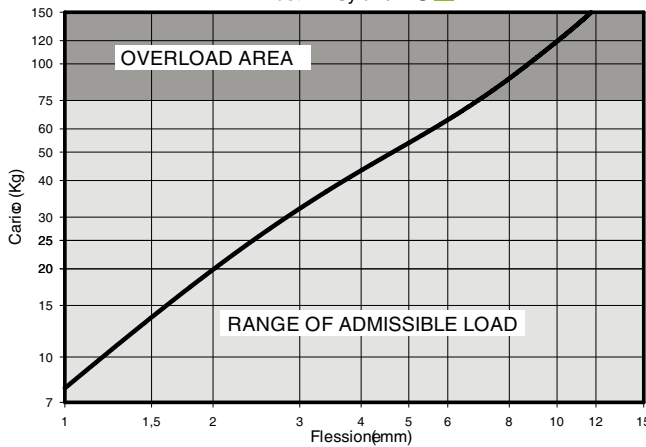
Akustik + Sylomer 50



Akustik + Sylomer 50



Akustik + Sylomer 75



Akustik + Sylomer 75

