

AKUSTIK SAW + SYLOMER®



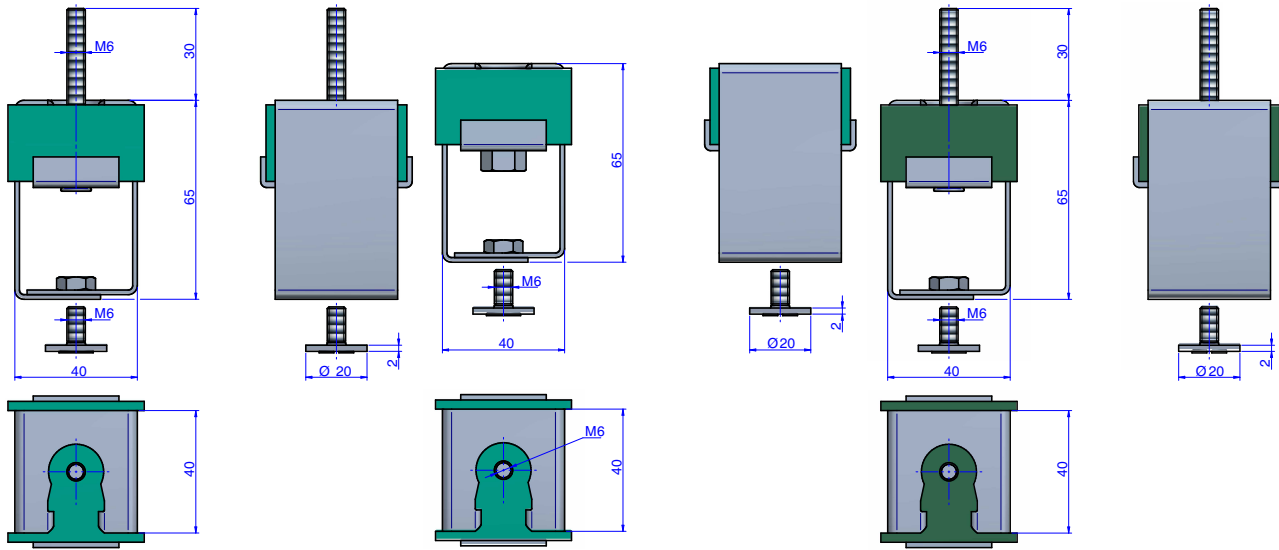
These acoustic hangers have been conceived for the suspension of false ceilings, vibrating pipelines and machinery that has to be suspended.

The excellent properties of the Sylomer® microcellular polyurethane material achieve elevated isolation values as opposed to other mounts that use rubber or cork, or a combination of both. These antivibration mounts are manufactured in two special mixes of Sylomer® to adapt better to the load of each application.

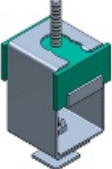

A great variety of fixing metal armors and elements facilitate the installation and to adapt better to each type of job. Their rugged metal parts can withstand tensile stresses from 650Kg to 1000Kg. They are supplied with an anticorrosive treatment that can withstand the toughest environments.



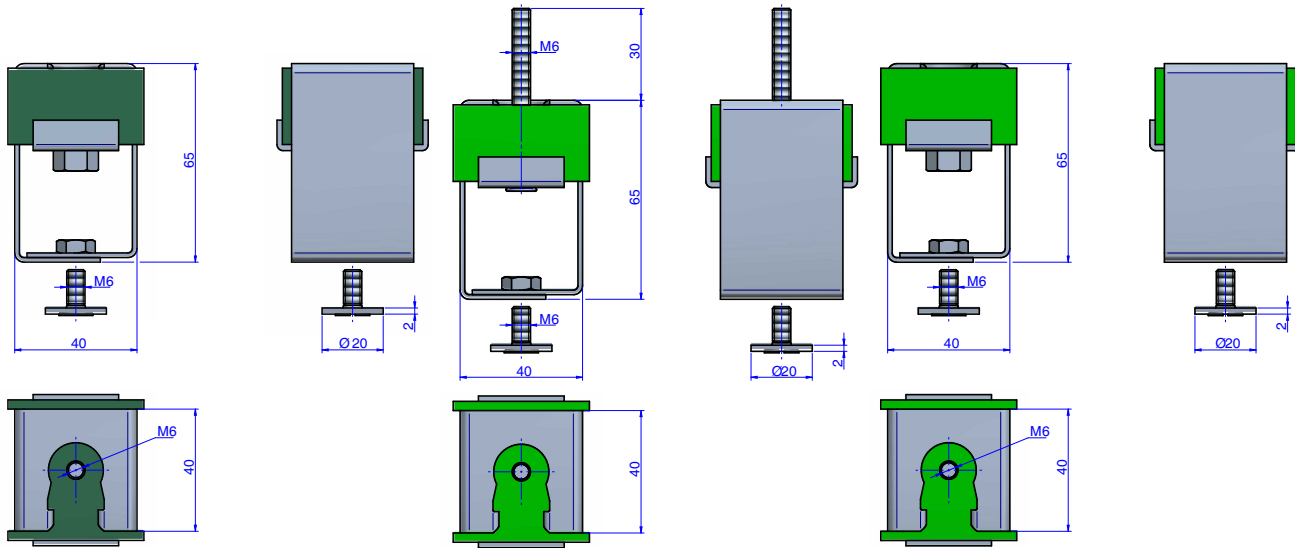
DRAWINGS



DIMENSIONS

	Type	SUMMARY	LOAD kg MAX	Weight (kg)	Code
	Akustik Saw + Sylomer@30 Type A	-	30	0,16	23863
	Akustik Saw + Sylomer@30 Type B	-	30	0,16	23864
	Akustik Saw + Sylomer@50 Type A	-	50	0,16	23584

DRAWINGS



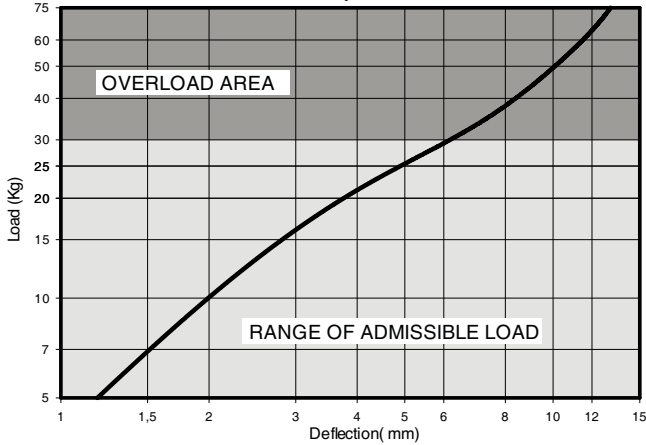
DIMENSIONS

	Type	SUMMARY	LOAD kg MAX	Weight (kg)	Code
	Akustik Saw + Sylomer@50 Type B	-	50	0,16	23585
	Akustik Saw + Sylomer@75 Type A	-	75	0,16	23865
	Akustik Saw + Sylomer@75 Type B	-	75	0,16	23866

Elastical properties

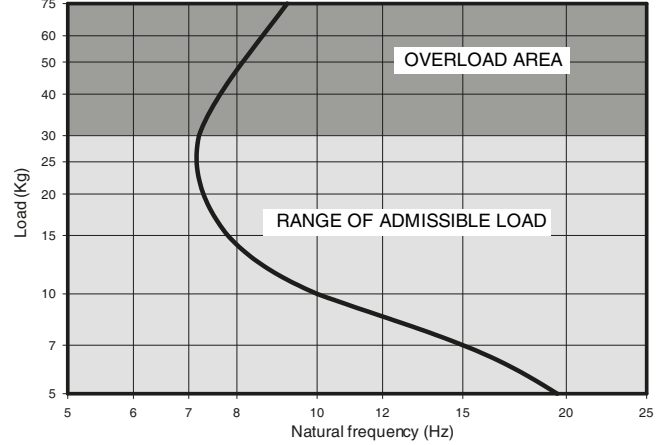
LOAD/DEFLECTION GRAPH

Akustik + Sylomer 30

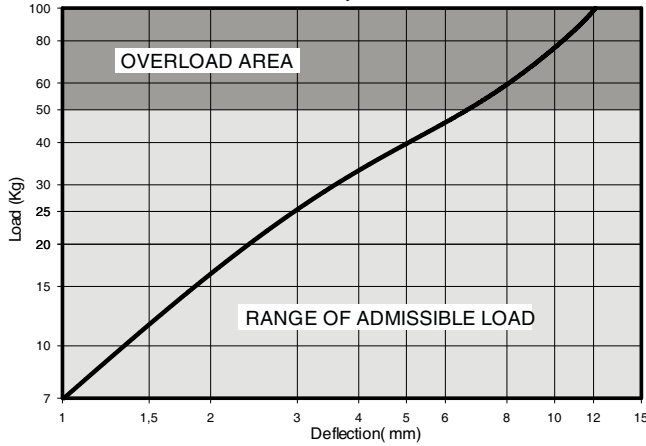


NATURAL FREQUENCY

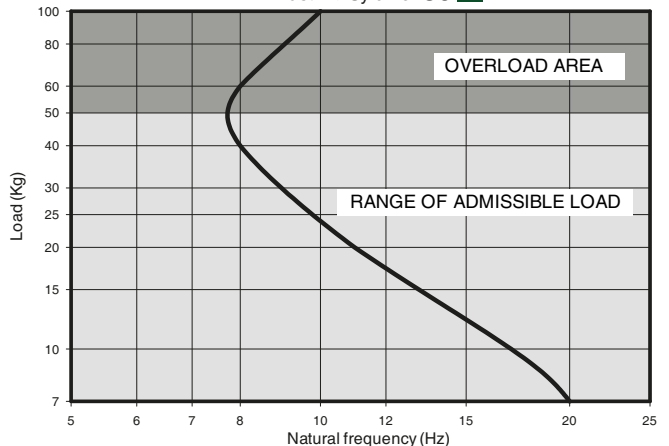
Akustik + Sylomer 30



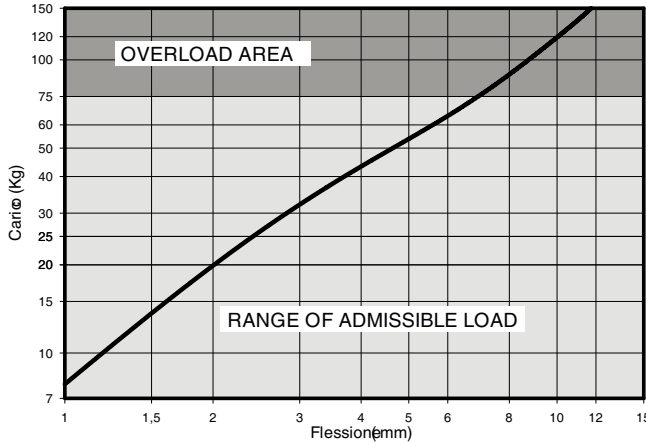
Akustik + Sylomer 50



Akustik + Sylomer 50



Akustik + Sylomer 75



Akustik + Sylomer 75

