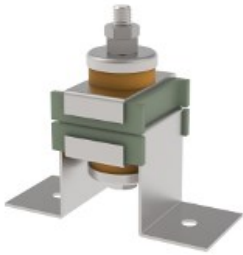
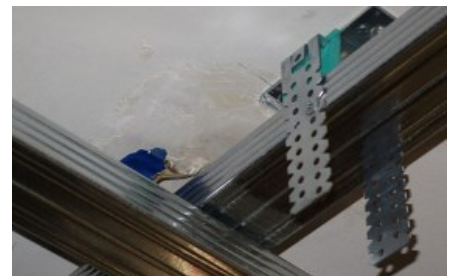


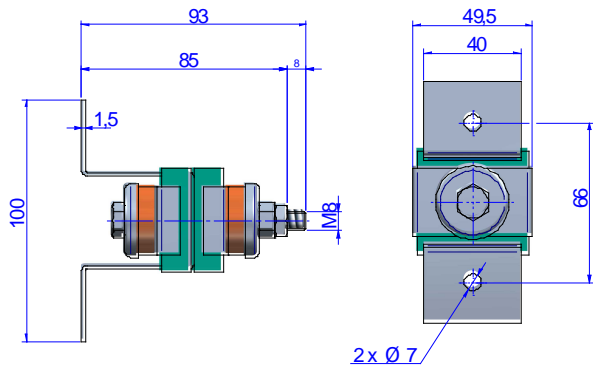
EP + SYLOMER® LMR



Acoustic wall ties range designed for the floating suspension of soundproofed walls. Sylomer® avoids the transmission of vibrations while providing optimal acoustic results. They have a "FAIL SAFE" rugged metal structure, which is overload-proof. Recommended for applications where fire or impact resistance is necessary. These mounts are also suitable for the isolation of vertical pipes, or any type of lightweight ducts that need to be isolated.



DRAWINGS

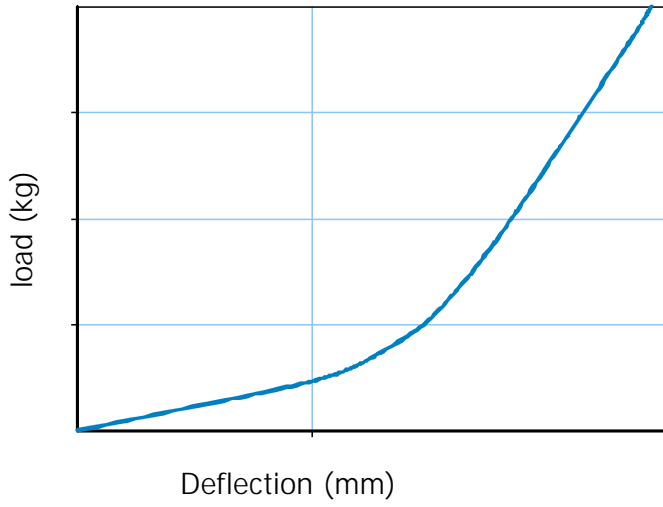


DIMENSIONS

Type	Weight (kg)	Code
EP + Sylomer® LMR	0.233	23724

Elastical properties

LOAD-DEFLECTION CURVE
EP + SYLOMER LMR



NATURAL FREQUENCY
EP + SYLOMER LMR

