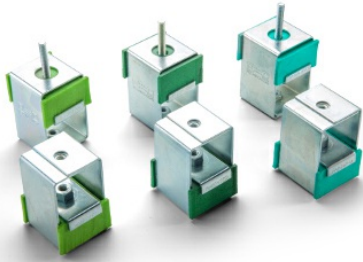


AKUSTIK 4 HIGH + SYLOMER®



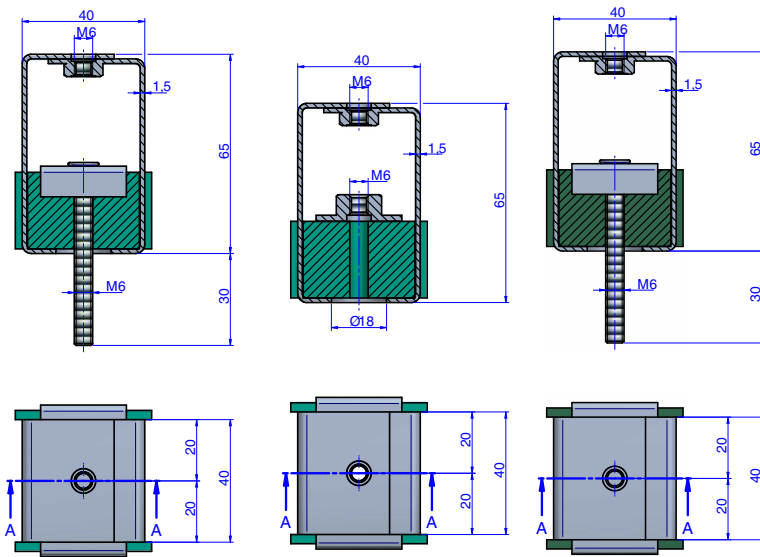
These acoustic hangers have been conceived for the suspension of false ceilings, vibrating pipelines and machinery that has to be suspended.

The excellent properties of the Sylomer® microcellular polyurethane material achieve elevated isolation values as opposed to other mounts that use rubber or cork, or a combination of both. These antivibration mounts are manufactured in two special mixes of Sylomer® to adapt better to the load of each application.

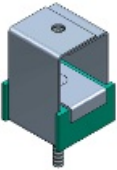
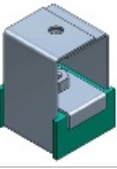

A great variety of fixing metal armors and elements facilitate the installation and to adapt better to each type of job. Their rugged metal parts can withstand tensile stresses from 650Kg to 1000Kg. They are supplied with an anticorrosive treatment that can withstand the toughest environments.



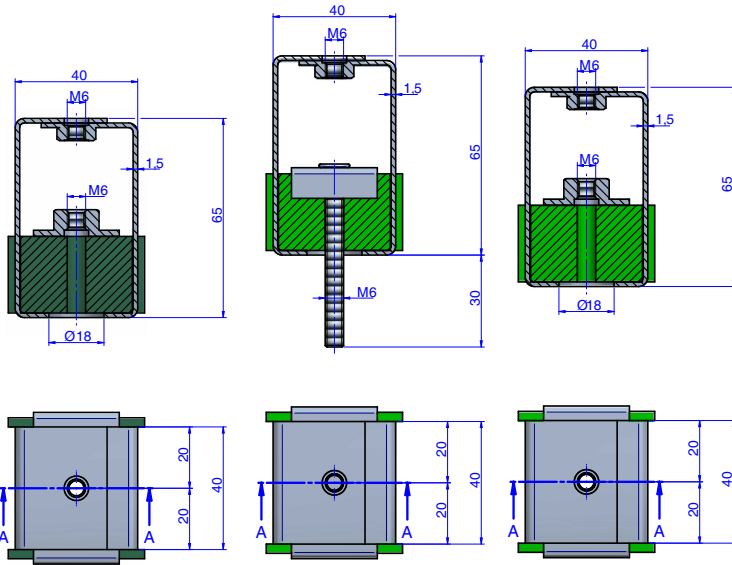
DRAWINGS



DIMENSIONS

	Type	SUMMARY	LOAD kg MAX	Weight (kg)	Code
	Akustik 4 High + Sylomer®30 Type A	Metal armor of the Akustik 4 secured to the ceiling by an M6 screw.	30	0,141	23537
	Akustik 4 High + Sylomer®30 Type B	Metal armor of the Akustik 4 secured to the ceiling by an M6 screw.	30	0,141	23538
	Akustik 4 High + Sylomer®50 Type A	Metal armor of the Akustik 4 secured to the ceiling by an M6 screw.	50	0,141	23580

DRAWINGS



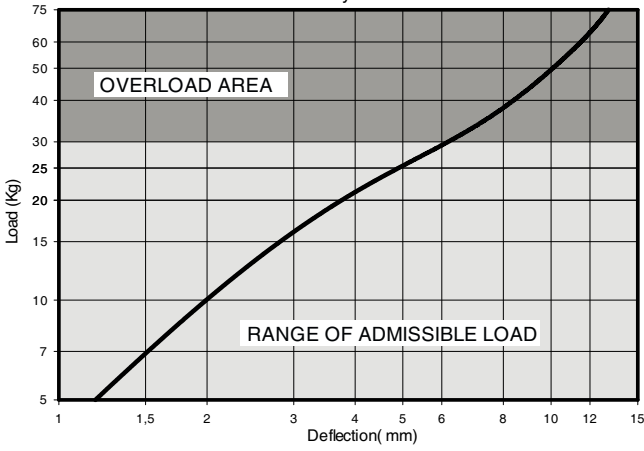
DIMENSIONS

	Type	SUMMARY	LOAD kg MAX	Weight (kg)	Code
	Akustik 4 High + Sylomer@50 Type B	Metal armor of the Akustik Rapid secured to the ceiling by a welded M6 nut.	50	0,141	23581
	Akustik 4 High + Sylomer@75 Type A	Metal armor of the Akustik 4 secured to the ceiling by an M6 screw.	75	0,141	23539
	Akustik 4 High + Sylomer@75 Type B	Metal armor of the Akustik 4 secured to the ceiling by an M6 screw.	75	0,141	23540

Elastical properties

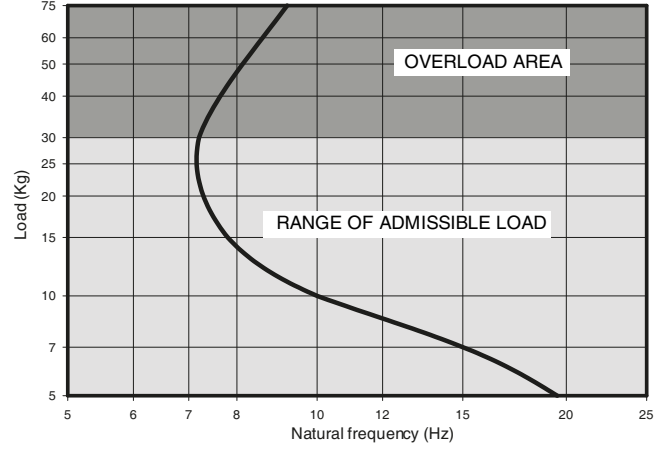
LOAD/DEFLECTION GRAPH

Akustik + Sylomer 30

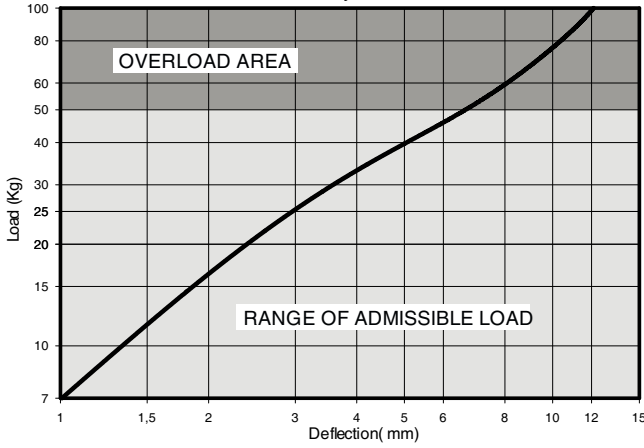


NATURAL FREQUENCY

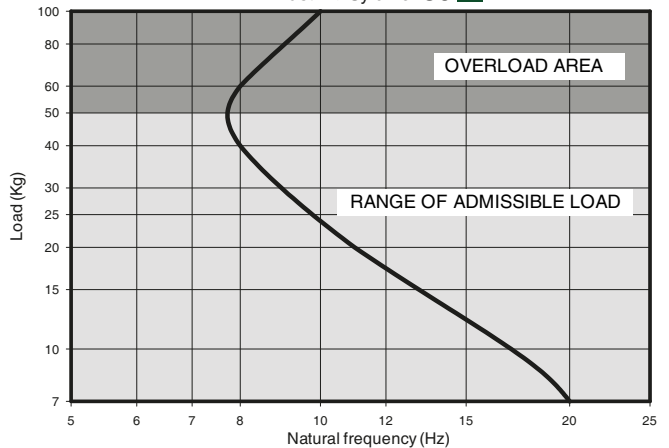
Akustik + Sylomer 30



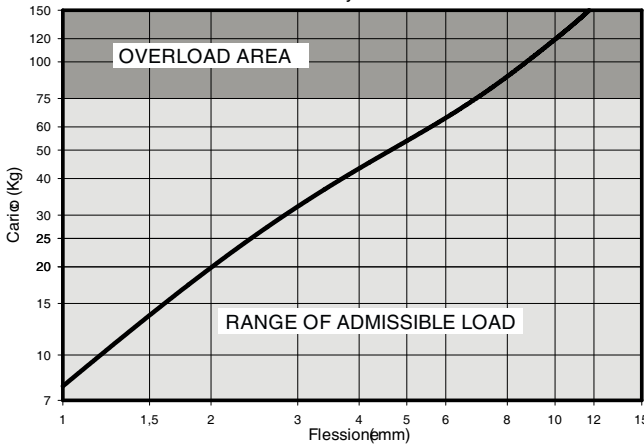
Akustik + Sylomer 50



Akustik + Sylomer 50



Akustik + Sylomer 75



Akustik + Sylomer 75

