

Rubber Metal anti vibration mounts

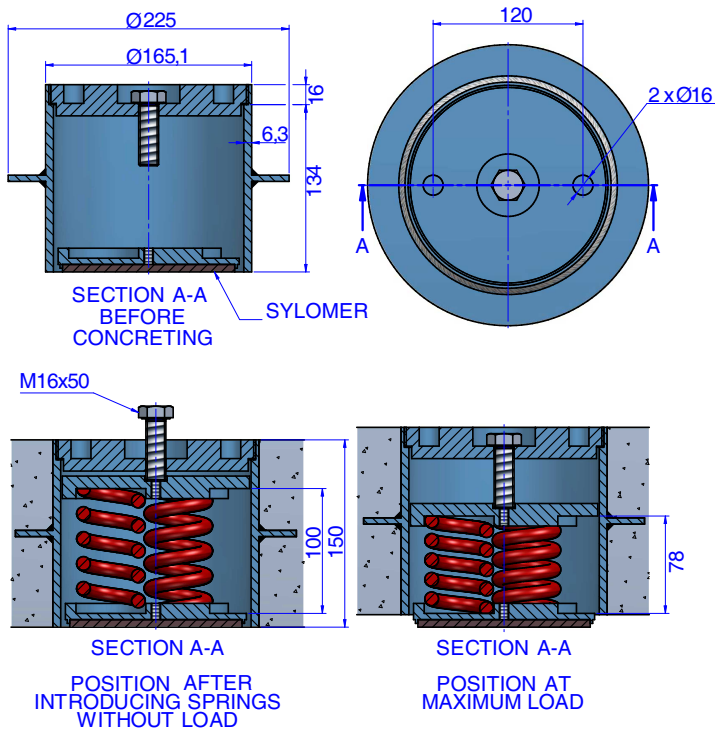
# FZH+SPRING



The goal of the system is to avoid the structure borne noise installing elastical mounts that are embedded in the concrete floating floor .The process of elevation is done once the concrete is dry.



DRAWINGS

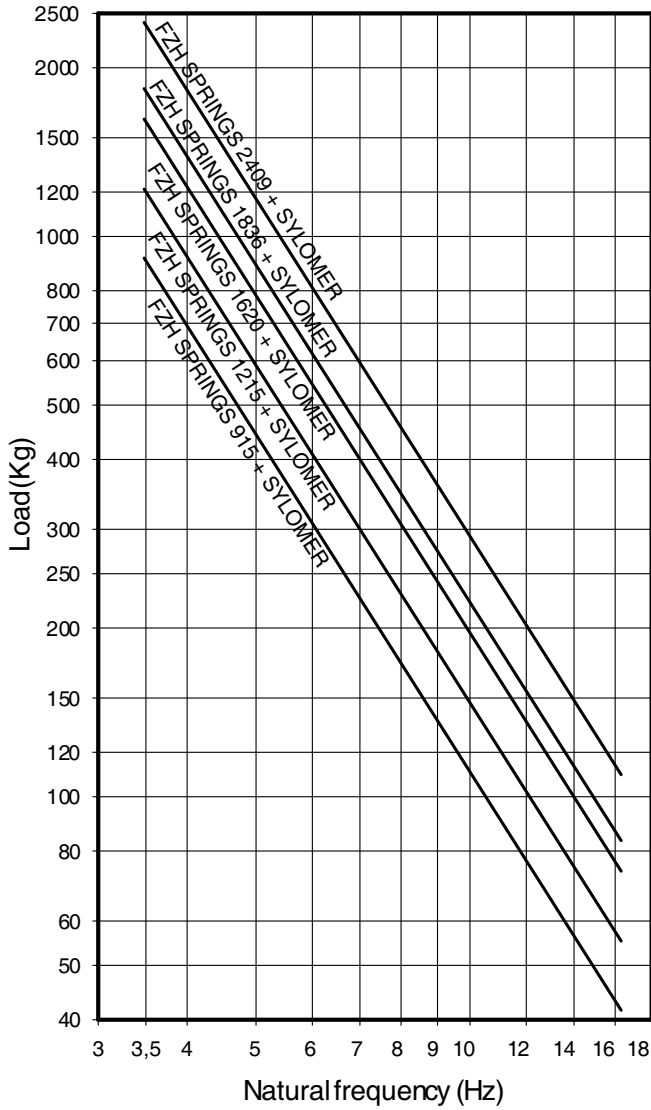


DIMENSIONS

Type	Spring color	Max. Load (kg)	Spring	Code
FZH SPRINGS + SYLOMER	PURPLE	915	1 AMC 915	176004
	GREEN	1215	1 AMC 1215	176005
	GREY	1620	1 AMC 1620	176006
	WHITE	1836	1 AMC 1836	176007
	RED	2409	1 AMC 2409	176008

Elastical properties

**NATURAL FREQUENCY CURVES  
FZHSPRINGS+ SYLOMER®**



**LOAD DEFLECTION CURVES  
FZH SPRINGS + SYLOMER®**

