

# GRAND AKUSTIK 1 + SYLOMER®



These acoustic hangers have been conceived for the suspension of false ceilings, vibrating pipelines and machinery that has to be suspended.

The excellent properties of the Sylomer® microcellular polyurethane material achieve elevated isolation values as opposed to other mounts that use rubber or cork, or a combination of both. These antivibration mounts are manufactured in two special mixes of Sylomer® to adapt better to the load of each application.

A great variety of fixing metal armors and elements facilitate the installation and to adapt better to each type of job. Their rugged metal parts can withstand tensile stresses from 650Kg to 1000Kg. They are supplied with an anticorrosive treatment that can withstand the toughest environments.

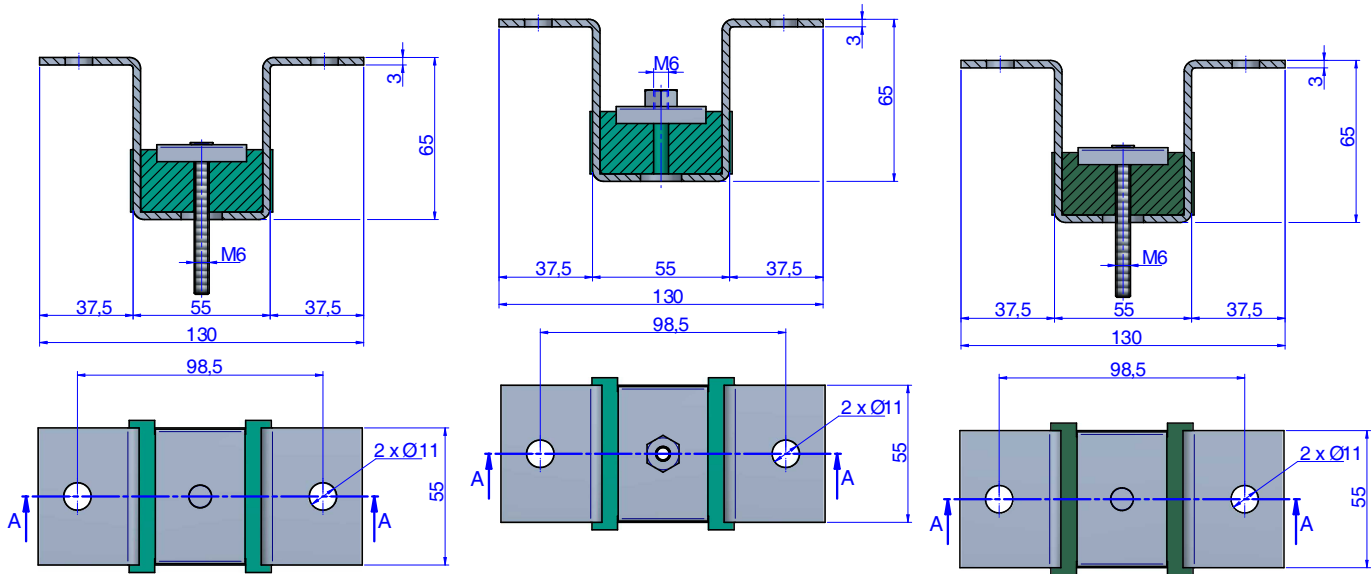
## TECHNICAL CHARACTERISTICS

These antivibration mounts are manufactured in two special mixes of Sylomer® to adapt better to the load of each application. A great variety of fixing windows and elements facilitate installation and adapt better to each type of job.




Their rugged metal parts can withstand tensile stresses from 650 to 1000 Kg. They are supplied with an anticorrosive treatment that can withstand the toughest environments.



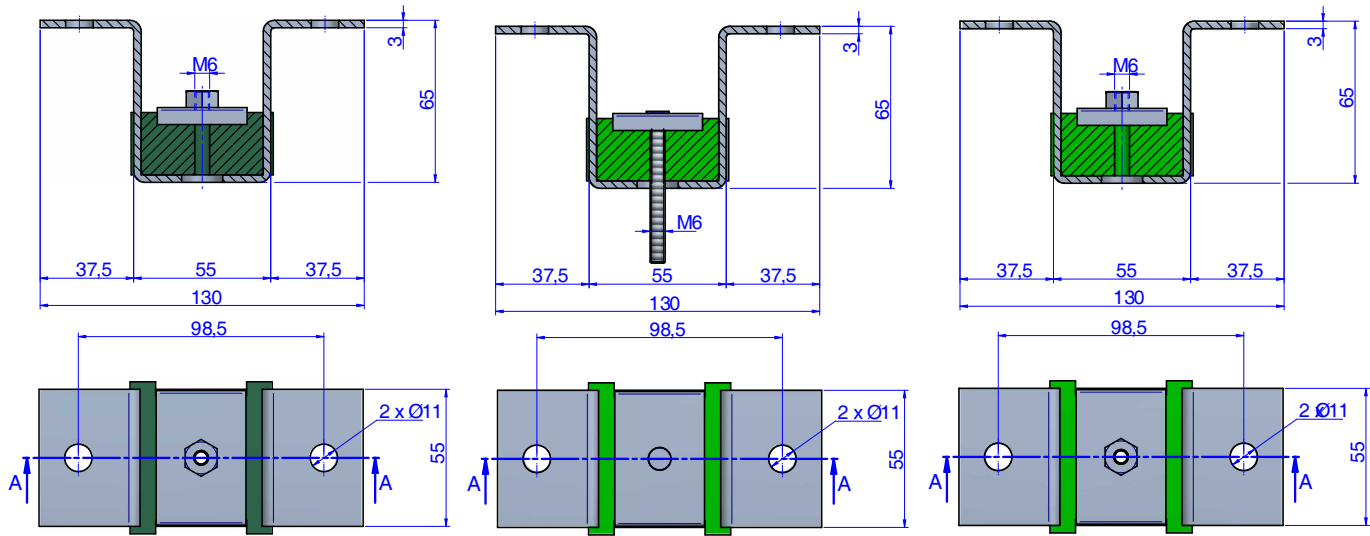
DRAWINGS



DIMENSIONS

	Type	SUMMARY	LOAD kg MAX	Weight (kg)	Code
	Grand Akustik 1 + Sylomer®60 Type A	It is secured directly to the ceiling by means of two holes and to the profile by means of a "type A" screw.	60	0,394	23601
	Grand Akustik 1 + Sylomer®60 Type B	It is secured to the ceiling with two holes and to the profile by means of a "type B" female fixing.	60	0,394	23609
	Grand Akustik 1 + Sylomer®100 Type A	It is secured directly to the ceiling with two holes and to the profile by means of a "type A" male screw.	100	0,394	23594

DRAWINGS

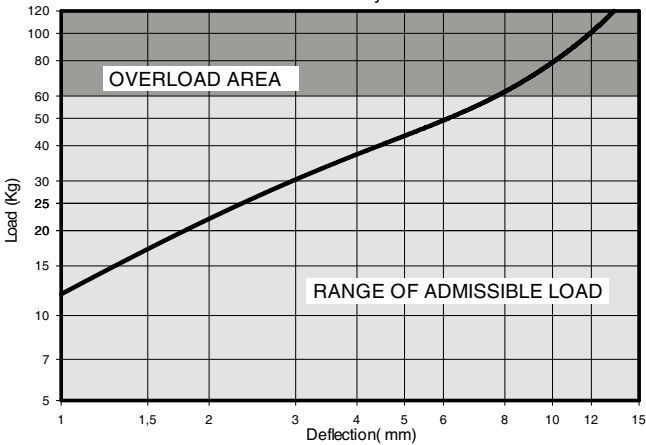


DIMENSIONS

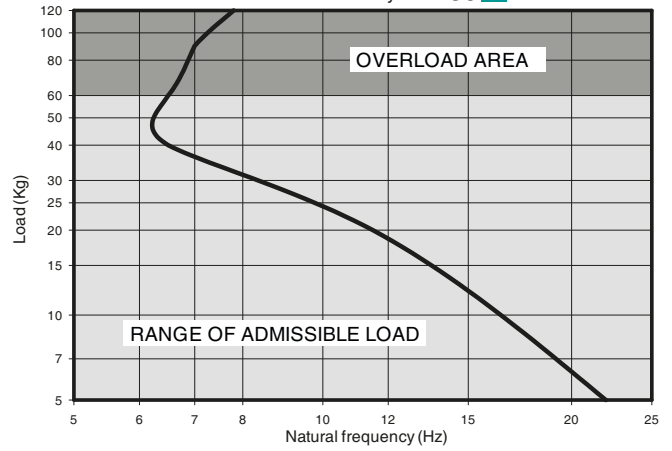
	Type	SUMMARY	LOAD kg MAX	Weight (kg)	Code
	Grand Akustik 1 + Sylomer®100 Type B	It is secured directly to the ceiling with one screw and to the profile by means of a "type A" screw.	100	0,396	23595
	Grand Akustik 1 + Sylomer®150 Type A	It is secured directly to the ceiling with two holes and to the profile by means of a "type A" male screw.	150	0,396	23617
	Grand Akustik 1 + Sylomer®150 Type B	It is secured directly to the ceiling by means of two screws and to the profile by means of a "type B" female fixing.	150	0,396	23625

Elastical properties

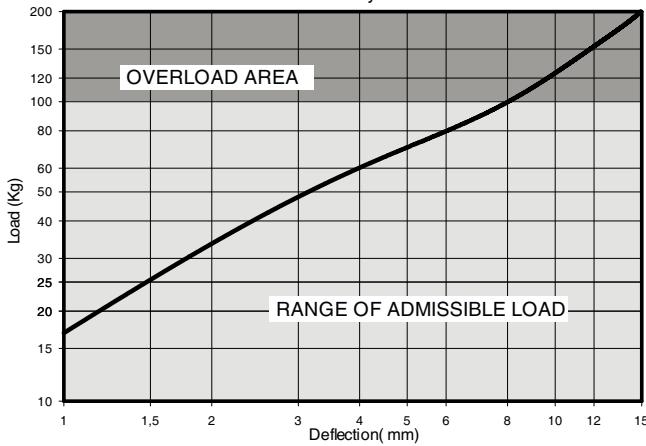
**LOAD/DEFLECTION GRAPH**  
Grand Akustik + Sylomer 60



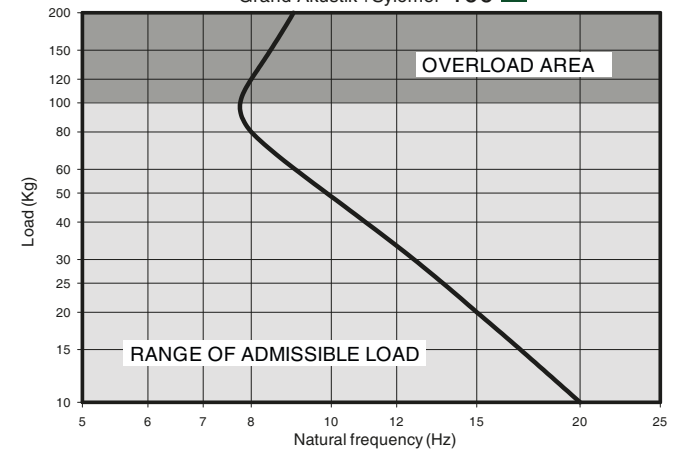
**NATURAL FREQUENCY**  
Grand Akustik + Sylomer 60



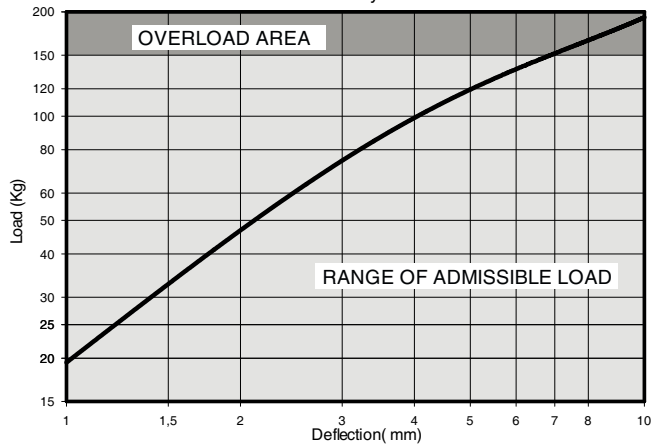
Grand Akustik + Sylomer 100



Grand Akustik + Sylomer 100



Grand Akustik + Sylomer 150



Grand Akustik + Sylomer 150

