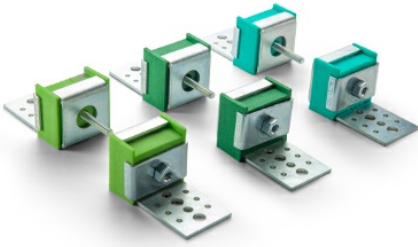


AKUSTIK GB + SYLOMER®

These simple but effective acoustic hangers are designed for the installation of suspended ceilings, pipelines and machinery.



TECHNICAL CHARACTERISTICS

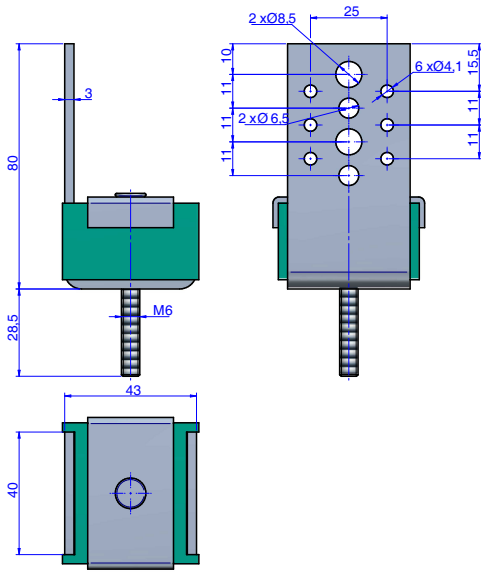
The Sylomer® microcellular polyurethane material provides superior isolation than rubber and/or cork materials and two versions are available depending on the load capacity required.

Type A is supplied with a rod to fix to a channel/bracket and Type B has an integrated nut for quick fixing of a suspension rod.


All metal parts have anti-corrosion zinc-plating.



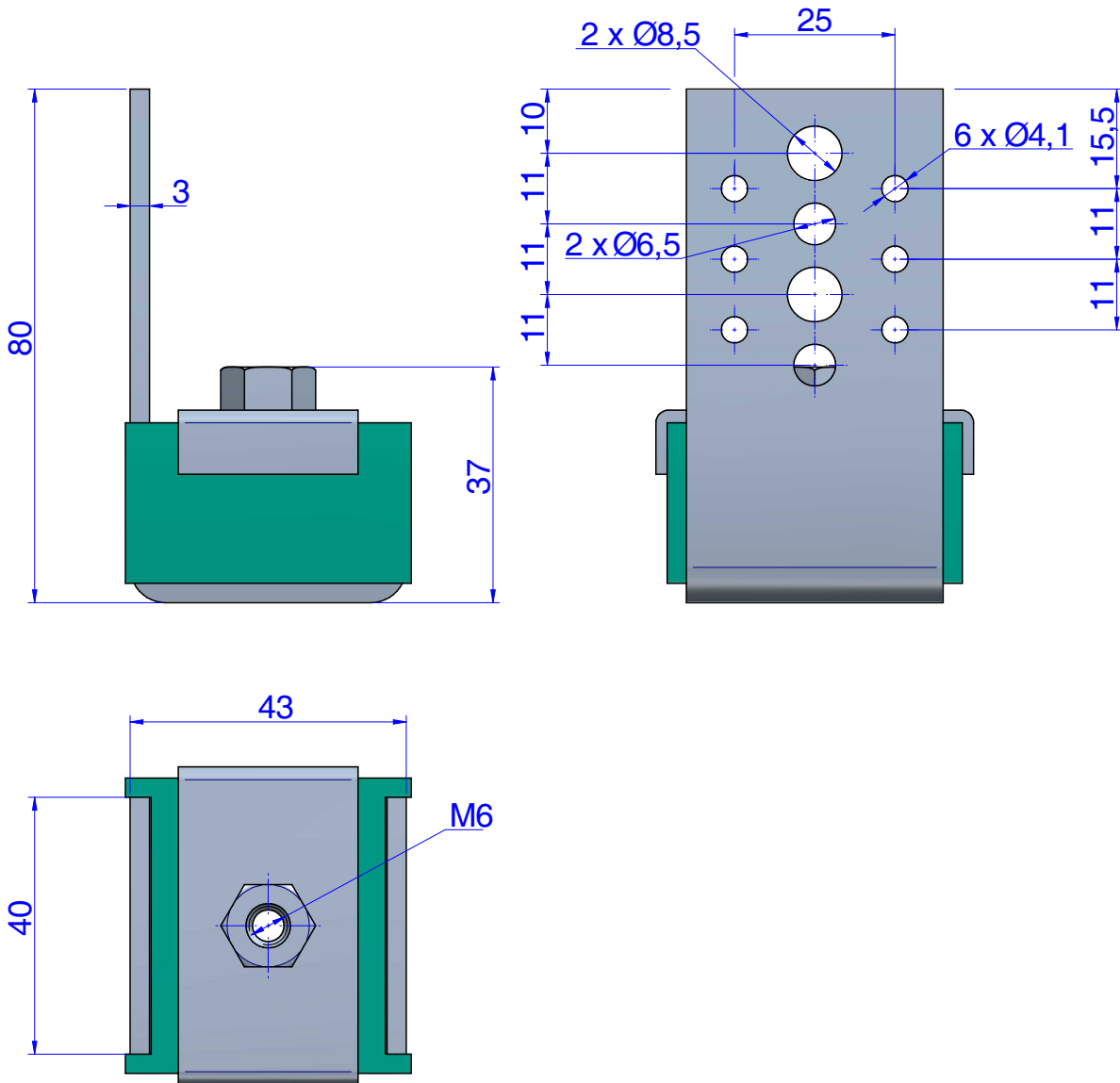
DRAWINGS




DIMENSIONS

| | Type | Max. Load (kg) | Weight (kg) | Code |
|---|---------------------------------|-------------------|----------------|-------|
|  | AKUSTIK GB + SYLOMER® 30 TYPE A | 30 | 0,176 | 23105 |

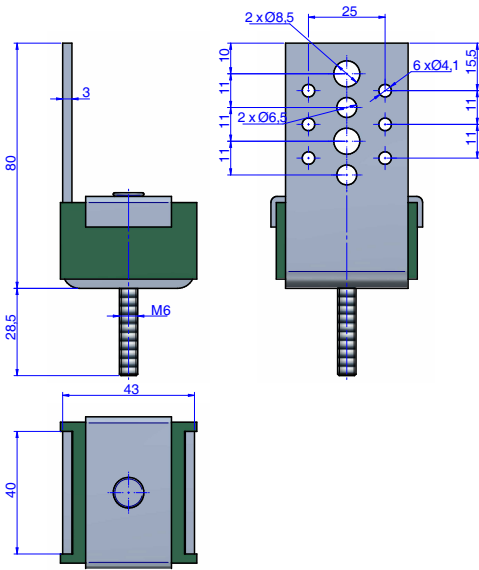
DRAWINGS



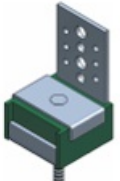
DIMENSIONS

| | Type | Max. Load (kg) | Weight (kg) | Code |
|---|---------------------------------|----------------|-------------|-------|
|  | AKUSTIK GB + SYLOMER® 30 TYPE B | 30 | 0,168 | 23106 |

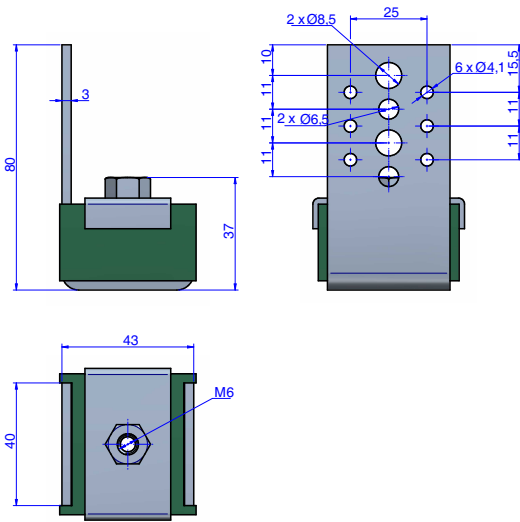
DRAWINGS




DIMENSIONS

| | Type | Max. Load (kg) | Weight (kg) | Code |
|---|---------------------------------|-------------------|----------------|-------|
|  | AKUSTIK GB + SYLOMER® 50 TYPE A | 50 | 0,176 | 23592 |

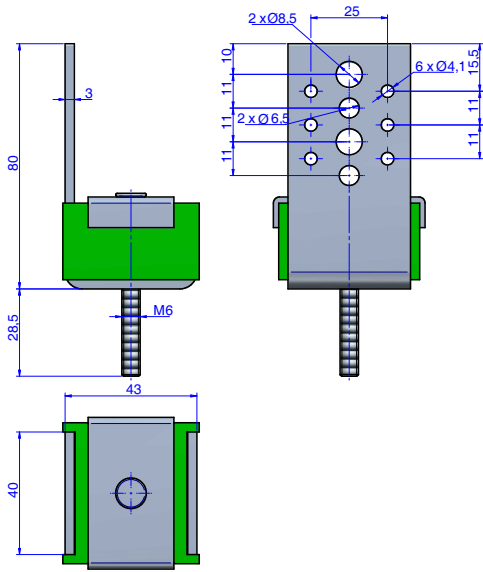
DRAWINGS



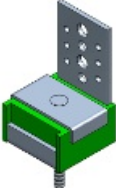
DIMENSIONS

| | Type | Max. Load (kg) | Weight (kg) | Code |
|--|---------------------------------|-------------------|----------------|-------|
|  | AKUSTIK GB + SYLOMER® 50 TYPE B | 50 | 0,168 | 23593 |

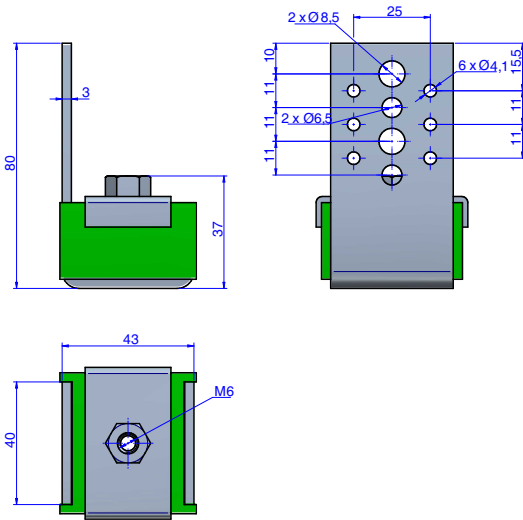
DRAWINGS



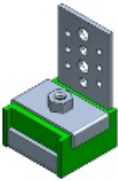
DIMENSIONS

| | Type | Max. Load (kg) | Weight (kg) | Code |
|---|---------------------------------|----------------|-------------|-------|
|  | AKUSTIK GB + SYLOMER® 75 TYPE A | 75 | 0,176 | 23107 |

DRAWINGS



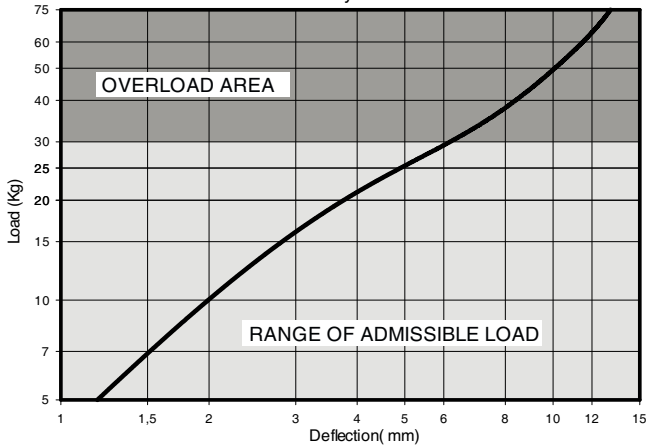
DIMENSIONS

| | Type | Max. Load (kg) | Weight (kg) | Code |
|--|---------------------------------|-------------------|----------------|-------|
|  | AKUSTIK GB + SYLOMER® 75 TYPE B | 75 | 0,168 | 23108 |

Elastical properties

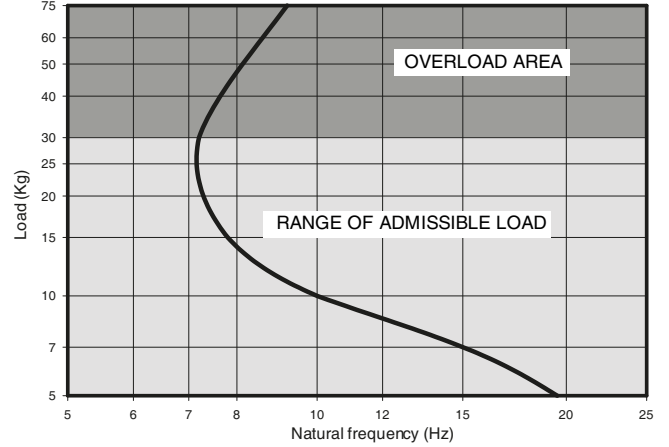
LOAD/DEFLECTION GRAPH

Akustik + Sylomer 30

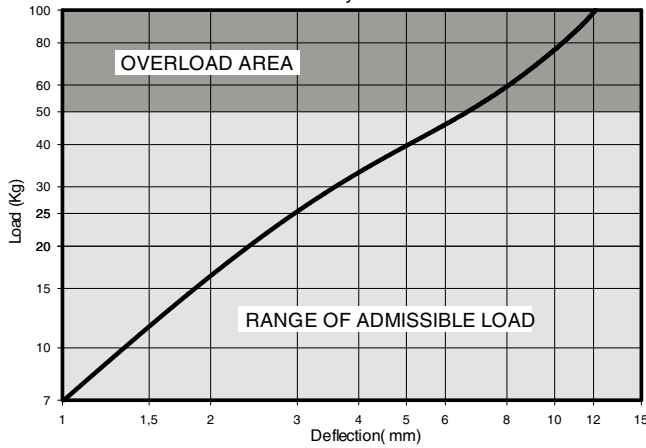


NATURAL FREQUENCY

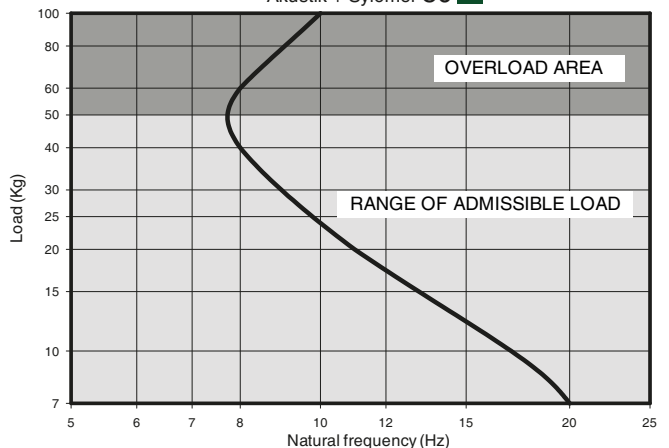
Akustik + Sylomer 30



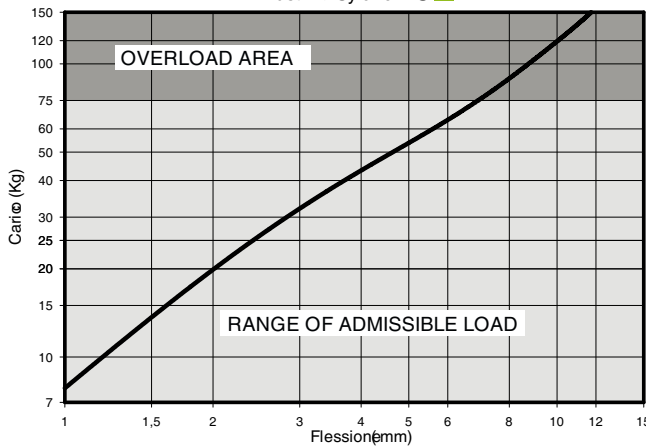
Akustik + Sylomer 50



Akustik + Sylomer 50



Akustik + Sylomer 75



Akustik + Sylomer 75

