

Vibrabsorber 5V-SR



This range of mounts comprises:

A spring high elasticity and very low natural frequency

An incorporated levelling system

A non-slip rubber base

A spare Sylomer to isolate mid and high frequencies comes standard

TECHNICAL CHARACTERISTICS

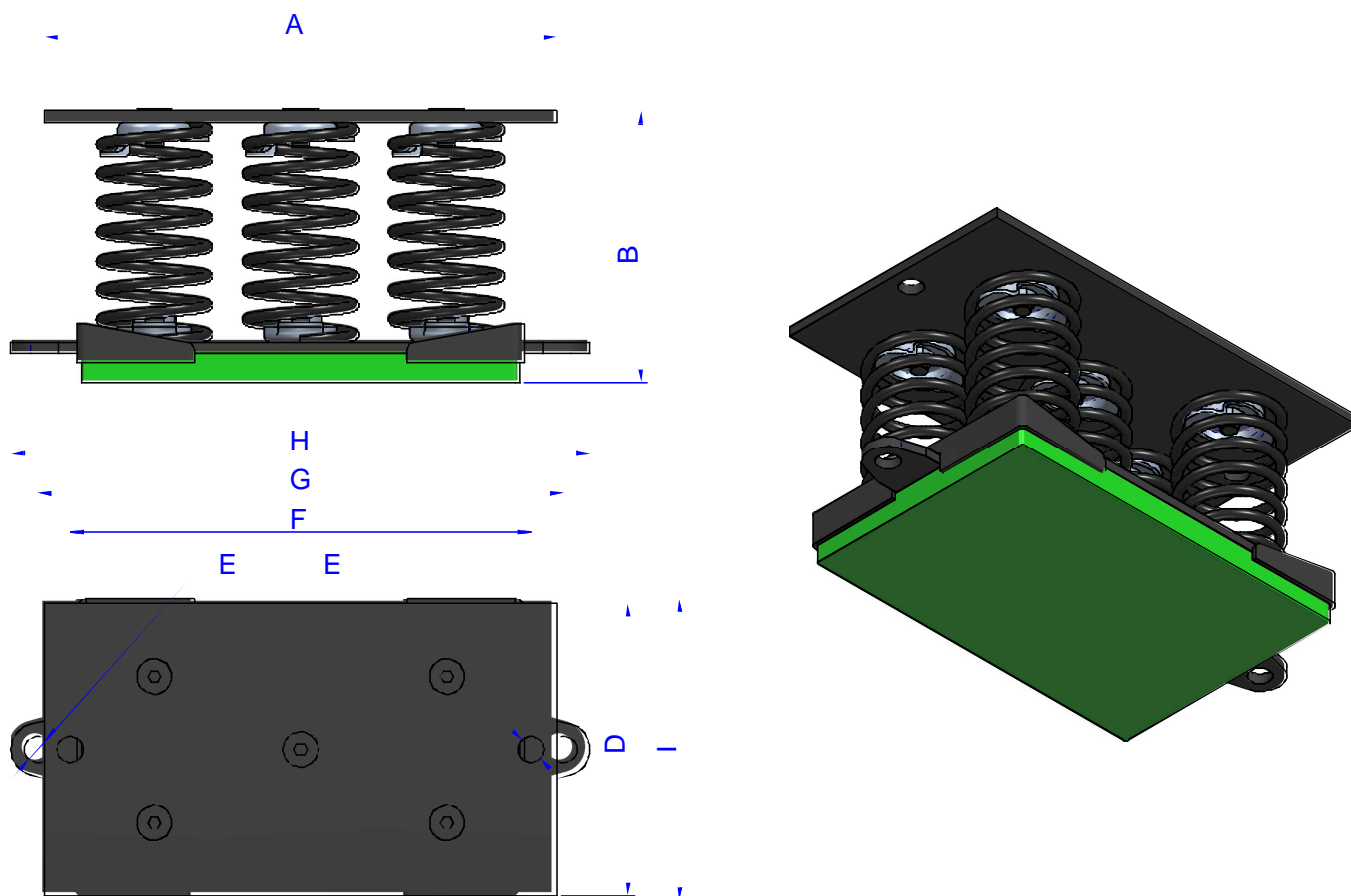
The mounts are able to reach low natural frequencies from 3 to 5 Hz. The spring combined with sylomer® is able to provide high isolation at low and medium frequencies.

The curves are showing the deflection and natural frequencies according to the load of the spring.
Temperature working range from -30 to 70°.
Short term higher temperatures are possible.



Vibrabsorber 5V-SR

DRAWINGS



DIMENSIONS

Type	A (mm)	B (mm)	Spring color	D (mm)	E (mm)	F (mm)	G (mm)	H (mm)	I (mm)	Load (kg)	Weight (kg)	Code
5V-SR-3250	350	180	BLACK	200	18	315	360	396	206	3250	17,970	21091
5V-SR-4000	350	180	BLACK	200	18	315	360	396	206	4000	18,095	21092
5V-SR-5000	350	180	BLACK	200	18	315	360	396	206	5000	19,620	21093
5V-SR-6000	350	180	BLACK	200	18	315	360	396	206	6000	19,990	21094

Vibrabsorber 5V-SR

Elastical properties

