

Vibrabsorber **4V-SR**



This range of mounts comprises:

- A spring high elasticity and very low natural frequency
- An incorporated levelling system
- A non-slip rubber base
- A spare Sylomer® to isolate mid and high frequencies comes standard

TECHNICAL CHARACTERISTICS

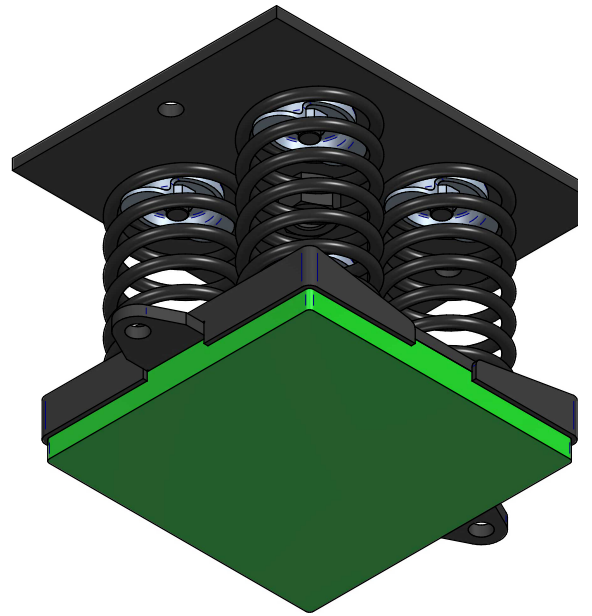
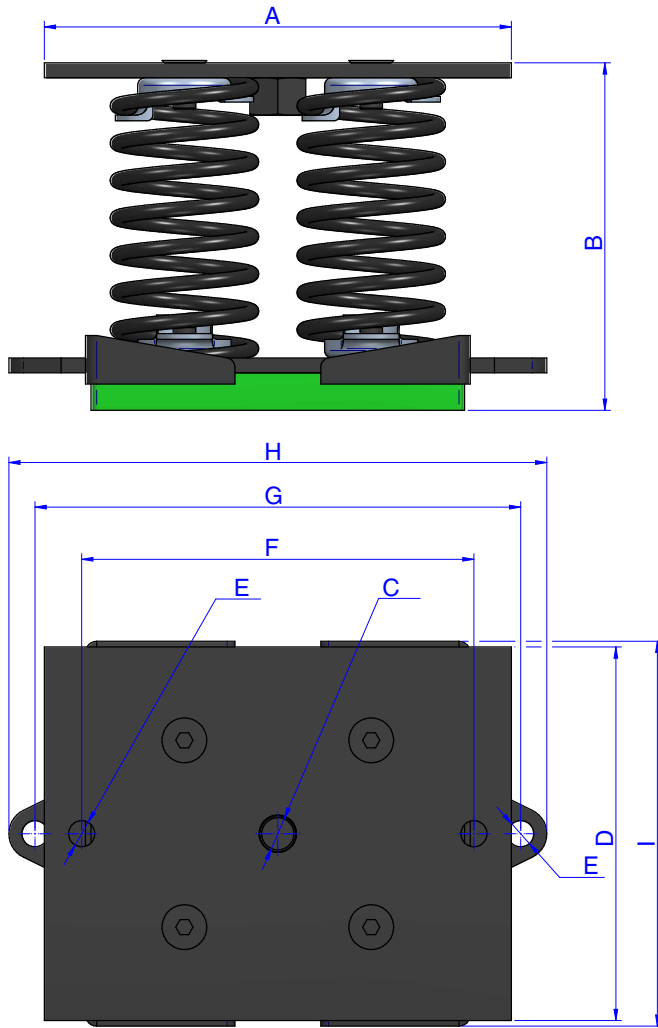
The mounts are able to reach low natural frequencies from 3 to 5 Hz. The spring combined with sylomer® is able to provide high isolation at low and medium frequencies.

The curves are showing the deflection and natural frequencies according to the load of the spring. Temperature working range from -30 to 70°. Short term higher temperatures are possible.



Vibrabsorber **4V-SR**

DRAWINGS



DIMENSIONS

| Type | A (mm) | B (mm) | Spring color | C (mm) | D (mm) | E (mm) | F (mm) | G (mm) | H (mm) | I (mm) | Load (kg) | Weight (kg) | Code |
|------------|--------|--------|--------------|--------|--------|--------|--------|--------|--------|--------|-----------|-------------|-------|
| 4V-SR-2600 | 250 | 178 | BLACK | M20 | 200 | 14 | 210 | 260 | 288 | 206 | 2600 | 13,12 | 21081 |
| 4V-SR-3200 | 250 | 178 | BLACK | M20 | 200 | 14 | 210 | 260 | 288 | 206 | 3200 | 13,46 | 21082 |
| 4V-SR-4000 | 250 | 178 | BLACK | M20 | 200 | 14 | 210 | 260 | 288 | 206 | 4000 | 13,78 | 21083 |
| 4V-SR-4800 | 250 | 178 | BLACK | M20 | 200 | 14 | 210 | 260 | 288 | 206 | 4800 | 13,88 | 21084 |

Vibrabsorber
4V-SR

Elastical properties

