

Vibrabsorber 3V-SR



This range of mounts comprises:

A spring high elasticity and very low natural frequency

An incorporated levelling system

A non-slip rubber base

A spare Sylomer to isolate mid and high frequencies comes standard

TECHNICAL CHARACTERISTICS

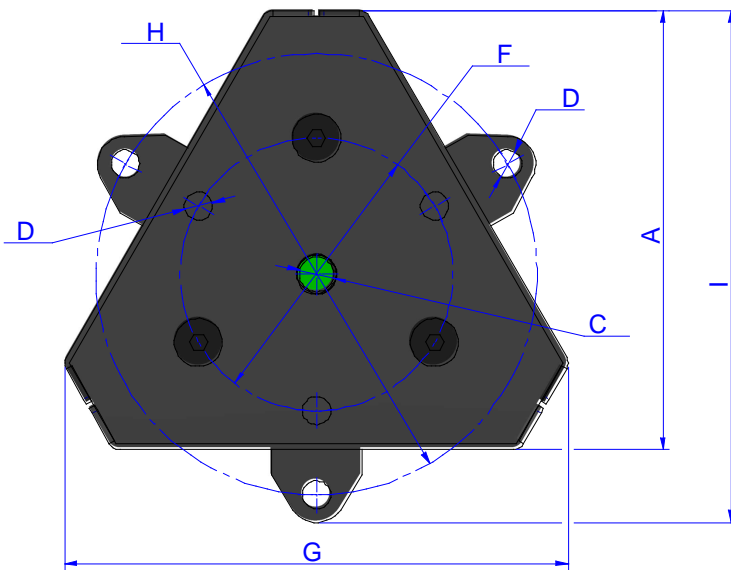
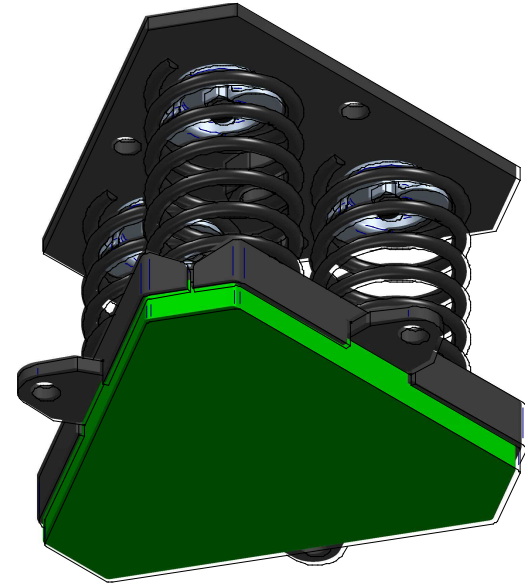
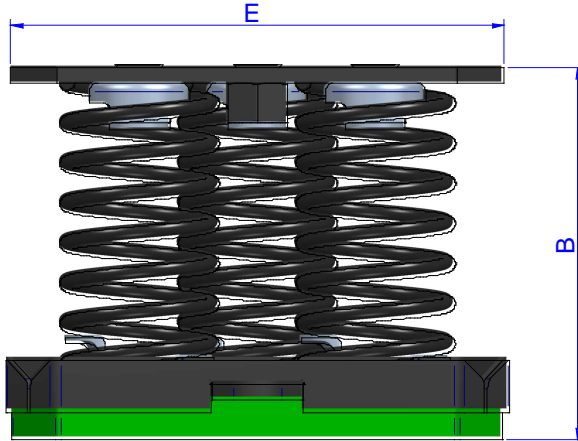
The mounts are able to reach low natural frequencies from 3 to 5 Hz. The spring combined with sylomer® is able to provide high isolation at low and medium frequencies.

The curves are showing the deflection and natural frequencies according to the load of the spring.
Temperature working range from -30 to 70°.
Short term higher temperatures are possible.



Vibrabsorber 3V-SR

DRAWINGS



DIMENSIONS

Type	A (mm)	B (mm)	Spring color	C (mm)	D (mm)	E (mm)	F (mm)	G (mm)	H (mm)	I (mm)	Load (kg)	Weight (kg)	Code
3V-SR-1950	219	180	BLACK	M20	14	246	136	251	220	255,7	1950	10.49	21131
3V-SR-2400	219	180	BLACK	M20	14	246	136	251	220	255,7	2400	10.56	21132
3V-SR-3000	219	180	BLACK	M20	14	246	136	251	220	255,7	3000	11.48	21133
3V-SR-3600	219	180	BLACK	M20	14	246	136	251	220	255,7	3600	11.70	21134

Vibrabsorber 3V-SR

Elastical properties

