

Vibrabsorber **3V-SH**



This range of mounts comprises:

A spring high elasticity and very low natural frequency

An incorporated levelling system

A non-slip rubber base

A spare Sylomer to isolate mid and high frequencies comes standard

TECHNICAL CHARACTERISTICS

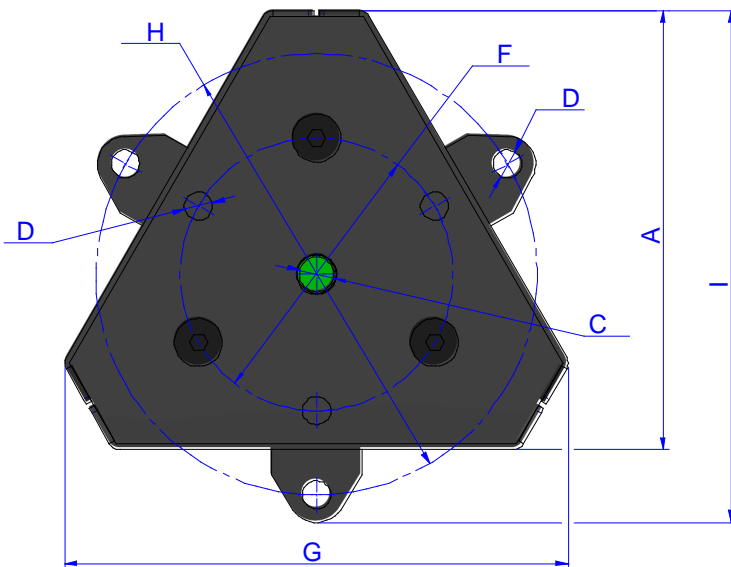
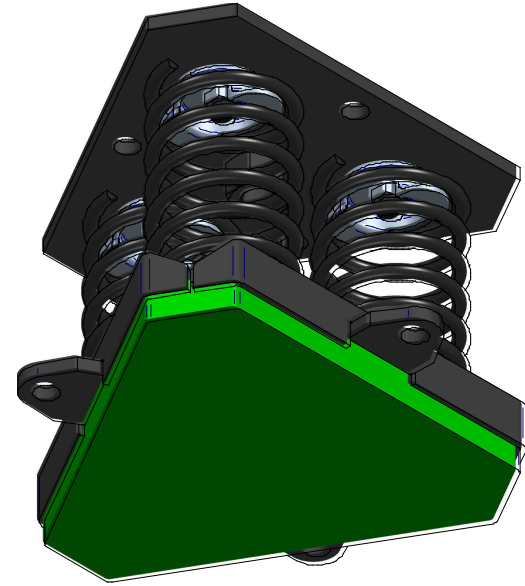
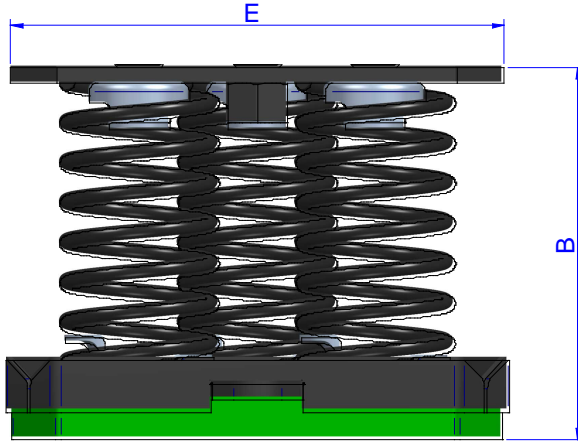
The mounts are able to reach low natural frequencies from 2 to 5 Hz. The spring combined with sylomer® is able to provide high isolation at low and medium frequencies.

The curves are showing the deflection and natural frequencies according to the load of the spring.
Temperature working range from -30 to 70°.
Short term higher temperatures are possible.



Vibrabsorber 3V-SH

DRAWINGS



DIMENSIONS

Type	A (mm)	B (mm)	Spring color	C (mm)	D (mm)	E (mm)	F (mm)	G (mm)	H (mm)	I (mm)	Load (kg)	Weight (kg)	Code
3V-SH 201	219	180	BLUE	M20	14	246	136	251	220	255,7	201	7.55	21020
3V-SH 285	219	180	WHITE	M20	14	246	136	251	220	255,7	285	7.72	21021
3V-SH 369	219	180	BLACK	M20	14	246	136	251	220	255,7	369	7.79	21022
3V-SH 519	219	180	BEIGE	M20	14	246	136	251	220	255,7	519	8.06	21023
3V-SH 669	219	180	RED	M20	14	246	136	251	220	255,7	669	9.17	21024
3V-SH 1005	219	180	GREY	M20	14	246	136	251	220	255,7	1005	9.77	21025
3V-SH 1338	219	180	GREEN	M20	14	246	136	251	220	255,7	1338	10.57	21026

Vibrabsorber 3V-SH

Elastical properties

