

Vibrabsorber **2V-SR**



This range of mounts comprises:

- A spring high elasticity and very low natural frequency
- An incorporated levelling system
- A non-slip rubber base
- A spare Sylomer® to isolate mid and high frequencies comes standard

TECHNICAL CHARACTERISTICS

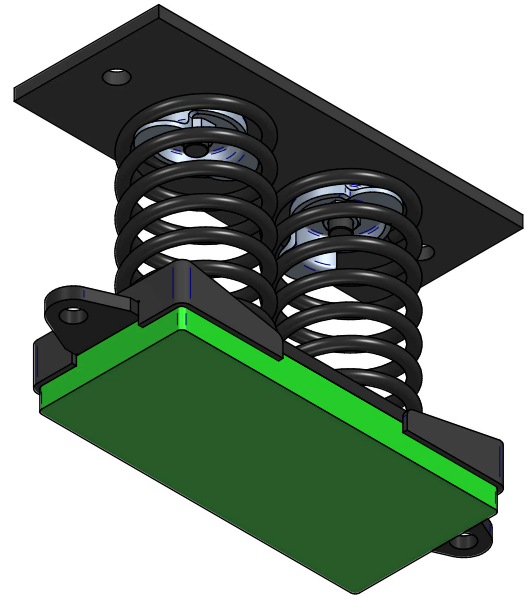
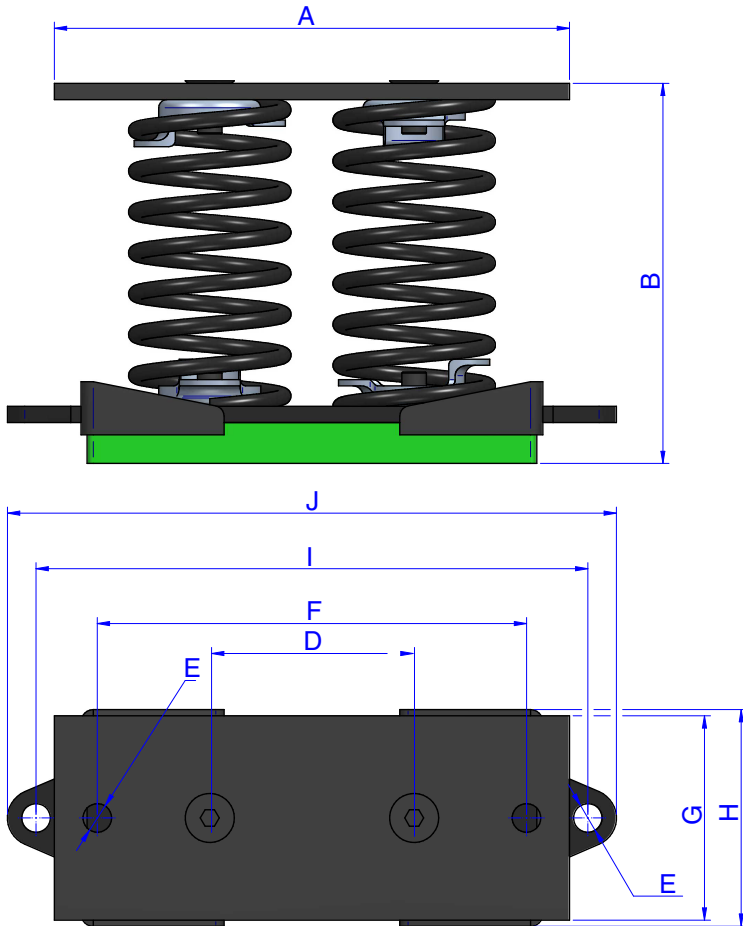
The mounts are able to reach low natural frequencies from 3 to 5 Hz. The spring combined with sylomer® is able to provide high isolation at low and medium frequencies.

The curves are showing the deflection and natural frequencies according to the load of the spring. Temperature working range from -30 to 70°. Short term higher temperatures are possible.



Vibrabsorber 2V-SR

DRAWINGS



DIMENSIONS

Type	A (mm)	B (mm)	Spring color	D (mm)	E (mm)	F (mm)	G (mm)	H (mm)	I (mm)	J (mm)	Load (kg)	Weight (kg)	Code
2V-SR-1300	252	178	BLACK	100	14	210	100	106	270	298	1300	7,32	21071
2V-SR-1600	252	178	BLACK	100	14	210	100	106	270	298	1600	7,46	21072
2V-SR-2000	252	178	BLACK	100	14	210	100	106	270	298	2000	7,78	21073
2V-SR-2400	252	178	BLACK	100	14	210	100	106	270	298	2400	7,98	21074

Vibrabsorber
2V-SR

Elastical properties

