

## Vibrabsorber **1V-SR**



This range of mounts comprises:

- A spring high elasticity and very low natural frequency
- An incorporated levelling system
- A non-slip rubber base
- A spare Sylomer to isolate mid and high frequencies comes standard

### TECHNICAL CHARACTERISTICS

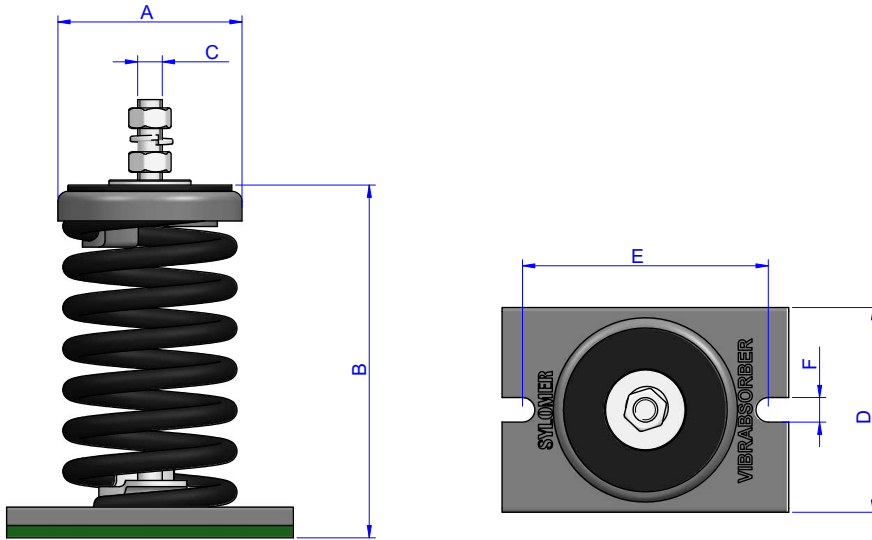
The mounts are able to reach low natural frequencies from 3 to 5 Hz. The spring combined with sylomer® is able to provide high isolation at low and medium frequencies.

The curves are showing the deflection and natural frequencies according to the load of the spring. Temperature working range from -30 to 70°. Short term higher temperatures are possible.



# Vibrabsorber 1V-SR

## DRAWINGS



## DIMENSIONS

Type	A (mm)	B (mm)	Spring color	C (mm)	D (mm)	E (mm)	F (mm)	Load (kg)	Weight (kg)	Code
V-SR-250	75	129	BLACK	M10	98,5	120	12	250	1,5	20391
V-SR-350	75	129	BEIGE	M10	98,5	120	12	350	1,7	20392
V-SR-650	93	173	BLACK	M12	98,5	120	12	650	2,3	20393
V-SR-800	93	173	BLACK	M12	98,5	120	12	800	2,6	20394
V-SR-1000	93	173	BLACK	M12	98,5	120	12	1000	3	20395
V-SR-1200	93	173	BLACK	M12	98,5	120	12	1200	3,2	20396

# Vibrabsorber **1V-SR**

Elastical properties

