

Vibrabsorber **1V-SH**



This range of mounts comprises:

- A spring high elasticity and very low natural frequency
- An incorporated levelling system
- A non-slip rubber base
- A spare Sylomer to isolate mid and high frequencies comes standard

TECHNICAL CHARACTERISTICS

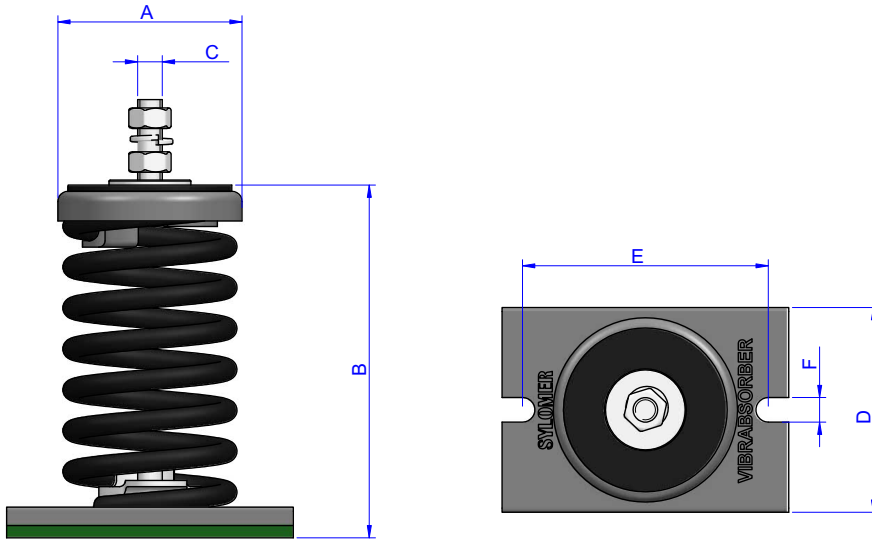
The mounts are able to reach low natural frequencies from 2 to 5 Hz. The spring combined with sylomer® is able to provide high isolation at low and medium frequencies.

The curves are showing the deflection and natural frequencies according to the load of the spring. Temperature working range from -30 to 70°. Short term higher temperatures are possible.



Vibrabsorber 1V-SH

DRAWINGS



DIMENSIONS

Type	A (mm)	B (mm)	Spring color	C (mm)	D (mm)	E (mm)	F (mm)	Load (kg)	Weight (kg)	Code
V-SH 67	93	173	BLUE	M12	98,5	120	12	67	1,48	20397
V-SH 95	93	173	WHITE	M12	98,5	120	12	95	1,53	20465
V-SH 123	93	173	BLACK	M12	98,5	120	12	123	1,56	20398
V-SH 173	93	173	BEIGE	M12	98,5	120	12	173	1,65	20466
V-SH 223	93	173	RED	M12	98,5	120	12	223	2,01	20399
V-SH 335	93	173	GREY	M12	98,5	120	12	335	2,32	20467
V-SH 446	93	173	GREEN	M12	98,5	120	12	446	2,52	20400

Vibrabsorber
1V-SH

Elastical properties

