

Rubber Metal antivibration mounts

SN ANTI VIBRATION MOUNT



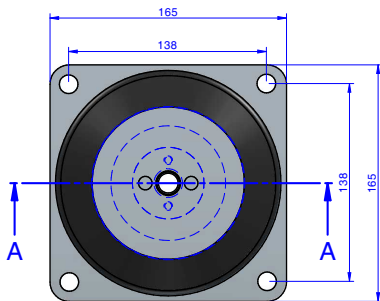
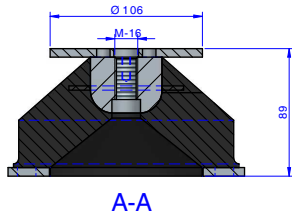
It is a support used in multiple applications, but primarily in marine engines whose excitation frequency is less than or close to 1000 rev/min.



Rubber Metal antivibration mounts

SN ANTI VIBRATION MOUNT

DRAWINGS



DIMENSIONS

Type	DEFLECTION mm.	Shore	Max. Load (kg.)	Code
SN	9	45	180	139001
	8	60	240	139002