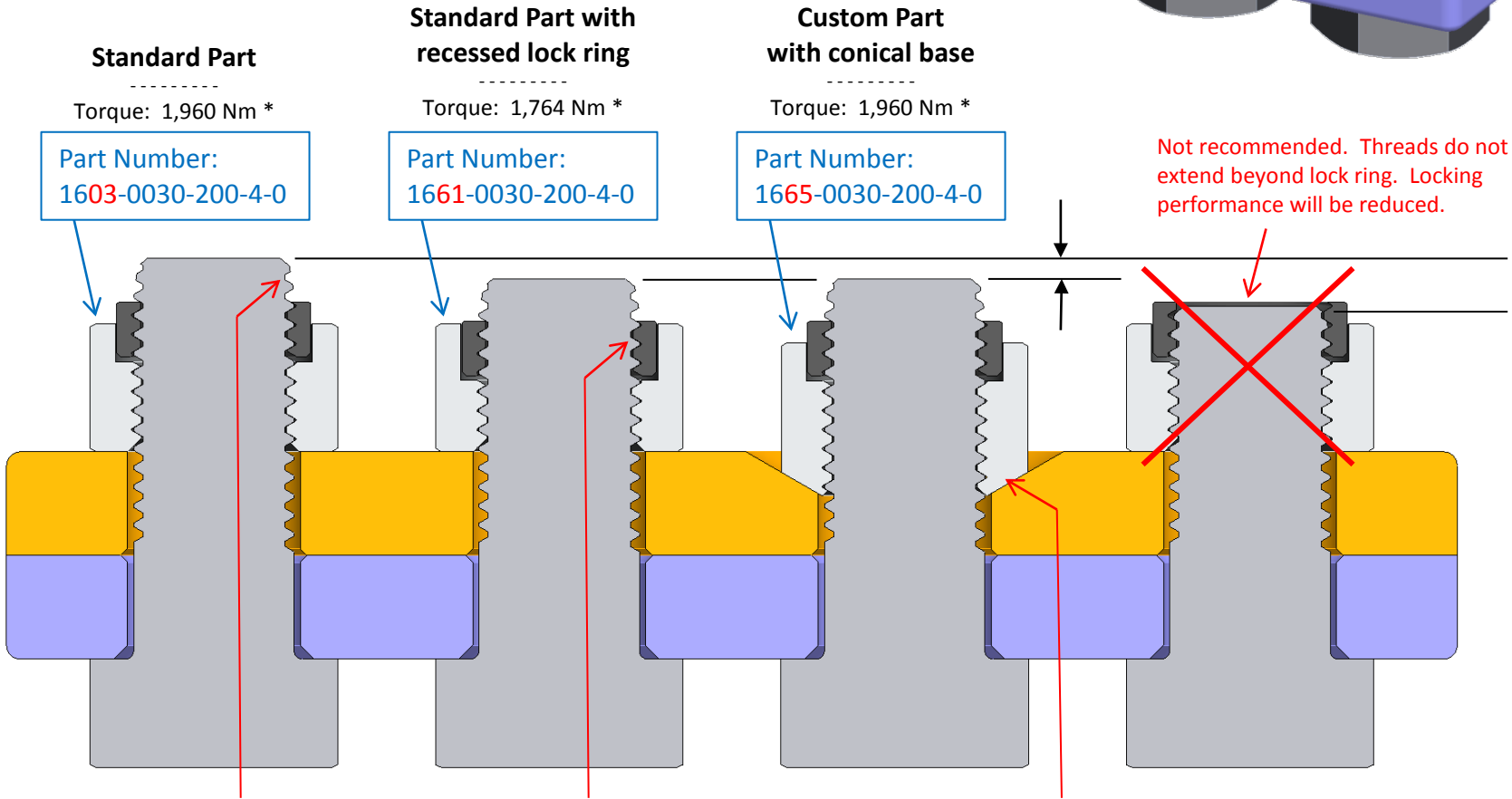
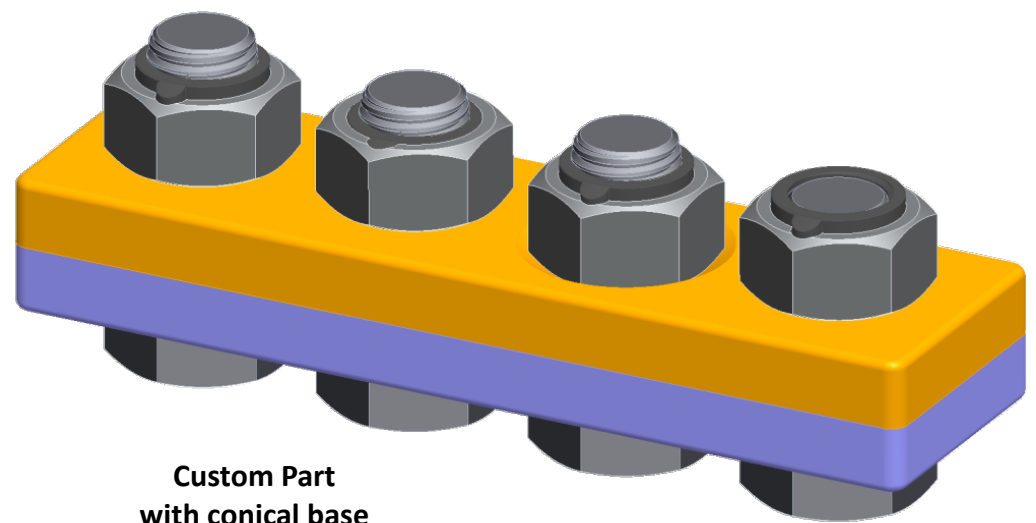


Have you selected the best M30 x 2.0 Security Locknut For your application?



Standard Part

Torque: 1,960 Nm *

Part Number:
1603-0030-200-4-0

Standard Part with recessed lock ring

Torque: 1,764 Nm *

Part Number:
1661-0030-200-4-0

Custom Part with conical base

Torque: 1,960 Nm *

Part Number:
1665-0030-200-4-0

Not recommended. Threads do not extend beyond lock ring. Locking performance will be reduced.

Recommend at least 2 full threads extend above lock ring when installed

For shorter bolts, use Security Locknut with recessed lock ring as shown (common for mining drag chains).

Use when a conical base is needed

* Torque values shown should only be used as a guide. The best way to determine the correct torque is through experimentation under actual joint and assembly conditions